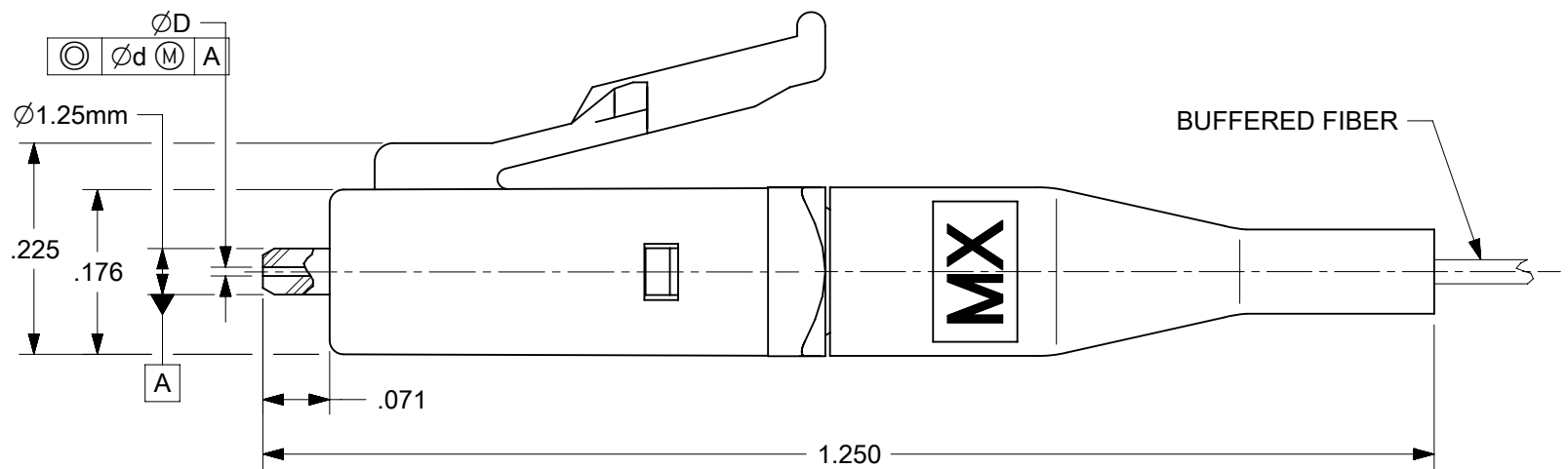
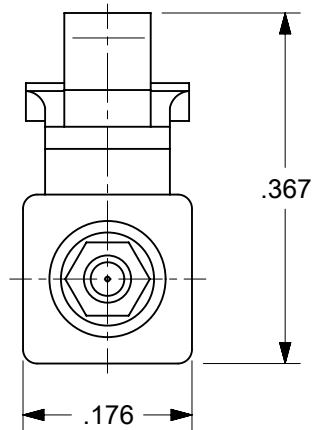


CONNECTOR P/N	øD (µm)	ød (µm)	HOUSING COLOR	BOOT COLOR	CABLE TYPE
106024-2500	125.50 ^{+1.0} ₀	1.0	BLUE	WHITE	SINGLE MODE
106024-3550*	127.00 ^{+3.00} ₀	3.0	BEIGE		MULTIMODE
106024-3500					
106024-4500	125.00 ^{+0.50} ₀	1.0		WHITE	
106024-5500	126.00 ^{+1.00} ₀				
106024-5540*					
106024-6500	125.25 ^{+0.50} ₀	0.5	BLUE	WHITE	SINGLE MODE
106090-2700	125.50 ^{+0.50} ₀				
106090-4500	125.00 ^{+0.50} ₀				
106090-6500	125.25 ^{+0.50} ₀				
106090-4510	125.2-125.5				
106090-4520	125.51-125.9				
106099-0500	81.0±0.5	1.4			
106024-5530	126.00 ^{+1.00} ₀	1.0	BEIGE	WHITE	

(DUST CAP NOT SHOWN)



NOTE:

1. ALL DIMENSIONS ARE GIVEN IN INCHES/MM, EXCEPT OTHERWISE SPECIFIED.

*2. P/N 106024-3310 AND 106024-5540 ARE BULK PACKED.

3. TUBING MUST BE SHORTENED AFTER FILLING THE EPOXY ACCORDING TO THE TERMINATION PROCEDURE P/N PS-86028-2000

THIS DRAWING CONTAINS INFORMATION THAT IS PROPRIETARY TO MOLEX ELECTRONIC TECHNOLOGIES, LLC AND SHOULD NOT BE USED WITHOUT WRITTEN PERMISSION									
DIMENSION UNITS		SCALE		CURRENT REV DESC:				molex	
INCH		5:1							
GENERAL TOLERANCES (UNLESS SPECIFIED)				EC NO: 695254				LC CONNECTOR (BARE FIBER)	
4 PLACES		±		DRWN: JHUANG18 2022/01/20				PRODUCT CUSTOMER DRAWING	
3 PLACES		± 0.38		CHK'D: IGUMIN 2022/04/29				DOCUMENT NUMBER	
2 PLACES		±		APPR: IGUMIN 2022/04/29				SD-1060KK-KKK0	
1 PLACE		±		INITIAL REVISION:				DOC TYPE	
0 PLACES		±		DRWN: PGIBLIN 2005/09/02				DOC PART	
ANGULAR TOL		± 1.0 °		APPR: IGUMIN 2005/10/24				REVISION	
DRAFT WHERE APPLICABLE MUST REMAIN WITHIN DIMENSIONS				THIRD ANGLE PROJECTION		DRAWING		SHEET NUMBER	
				B-SIZE		SERIES		1 OF 1	
				106024		MATERIAL NUMBER		CUSTOMER	
				SEE TABLE		GENERAL MARKET			

DOCUMENT STATUS	P1	RELEASE DATE	2022/04/29	14:51:29
-----------------	----	--------------	------------	----------