

SC SIMPLEX MULTIMODE PC 128 OPTICAL PLUG  
FOR A Ø900 µm OM3 CABLE

Packaging  
100

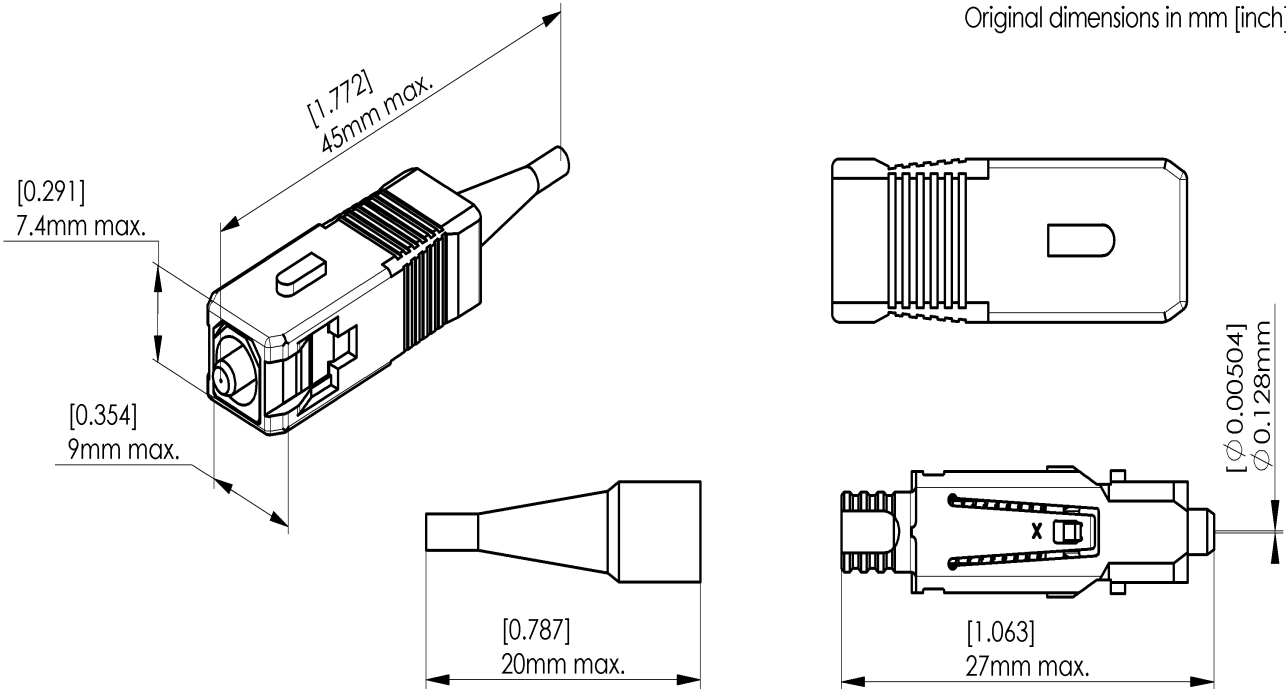
Series  
SC

Issue  
29 dec 2010

Page  
1 / 2

Outer plug body : color Beige      Boot color : AQUA

Original dimensions in mm [inch]



**GENERAL**

- ❑ **TYPE**                            IEC 61754-4 type SC  
Multimode Zirconia ferrule (20 mm pre-radius)  
Push-pull latching system  
Floating ferrule  
360° tunable (adjustable to 6 positions for optimization of random insertion loss)
- ❑ **FERRULE SIZE**                128 µm
- ❑ **FIBER SIZE**                    50/125 or 62,5/125µm multimode
- ❑ **CABLE SIZE & TYPE**        Ø 0,9 mm buffered fiber
- ❑ **CABLING PROCEDURE**  
Refer to 503 08 400 (D 6121 oe) assembly instruction manual

CREATION					<b>RADIALL®</b>
N°:					101, rue P. Hoffmann
PEN/EP : EPM 1005					93116 ROSNY/BOIS
Name: S.P					FRANCE
Date: 29.12.2010					Tel : (33) 0149353535
Appr.: H.D	Issue	Revisions	Name	Appr.	Fax : (33) 0148546363

SC SIMPLEX MULTIMODE PC 128 OPTICAL PLUG  
 FOR A Ø900 µm OM3 CABLE

 Packaging  
 100

 Series  
 SC

 Issue  
 29 dec 2010

 Page  
 2 / 2

Outer plug body : color Beige      Boot color : AQUA

## CHARACTERISTICS (Depending on fibre or cable construction)

□ **OPTICAL**      Attenuation at 850 nm and 1310nm with LED source, at EMD condition

Attenuation plug mated with reference plug:      IEC 61300-3-4

PARAMETER	STD
Mean	< 0.20 dB
Standard deviation	0.08 dB

Attenuation of random mated connectors:      IEC 61300-3-34

PARAMETER	STD
Mean	0.25 dB
Max	< 0.75 dB 95%

Maximum loss variation:      IEC 61300-2-2 / IEC 61300-3-6

PARAMETER	STD
Repeatability	0.10 dB
Return Loss	>20 dB

□ **MECHANICAL**      Mechanical Endurance      500 matings  
                                  Cable retention                      7 N

□ **ENVIRONMENTAL**      Storage temperature range      -40 °C to +85 °C  
                                  Operating temperature range      -40 °C to +85 °C

CREATION				<b>RADIALL</b> <sup>®</sup>	
N°:				101, rue P. Hoffmann 93116 ROSNY/BOIS FRANCE Tel : (33) 0149353535 Fax : (33) 0148546363	
PEN/EP : EPM 1005					
Name: S.P					
Date: 29.12.2010					
Appr.: H.D	Issue	Revisions	Name	Appr.	