

**SC**
**SINGLEMODE FIBER OPTIC CONNECTOR**

Outer plug body and boot: color green

Series

F728

Packaging

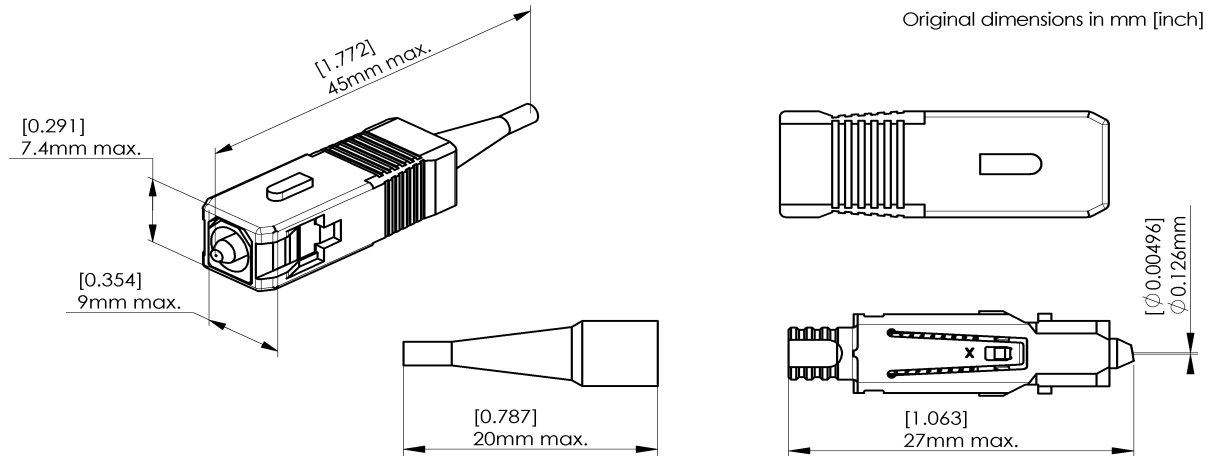
100

Issue

30Dec.10

Page

1/1


**GENERAL**

**Type** : IEC 61754-4 type SC  
 singlemode pre-radius and pre-angled 8° zirconia AP C ceramic ferrule  
 (pencil type)  
 Push-pull latching system, floating ferrule  
 360° tunable (adjustable to 6 positions for optimization of random insertion loss)

**Ferrule size** : 126  $\mu$ m  
**Fiber size** : 9.5/125 $\mu$ m, singlemode

**Cable** :  $\phi$  0.9mm, buffered fiber

**Cabling proc.** : Refer to 503 08 400 (D 6121 oe), assembly instruction manual

**CHARACTERISTICS** (Dependant on fiber or cable construction)

**Optical** : Attenuation at 1310 and 1550nm, LD

	STD	TUNED	(IEC 61300-2-40)
Mean	< 0.2 dB	< 0.2 dB	(Attenuation plug mated with reference plug IEC 61300-3-4)
Standard deviation	0.15 dB	0.15dB	
Max	< 0.8dB, 97%	<0.6 dB, 99%	(Attenuation of random mated connectors IEC 61300-3-34)
Mean	0.25 dB	0.15dB	
Repeatability	0.10 dB	0.10dB	(Maximum loss variation, IEC 61300-2-2)
Return loss	>60 dB	>60 dB	(IEC 61300-3-6)

**Mechanical** : Mechanical endurance 500 matings  
 Cable retention 7 N

**Environmental** : Temperature range (storage/operating) -40 to +85 °C

CREATION					RADIALL <sup>®</sup>	
N°:						101, rue P. Hoffmann
PEN/EP: CAT.						93116 ROSNY/BOIS
Name: PB						FRANCE
Date: 11 Aug. 99	30 Dec. 10	Mise à jour performances optiques et mécaniques	SP	HD		Tel : (33) 0149353535
Appr.: LV	Issue	Revisions	Name	Appr.		Fax : (33) 0148546363