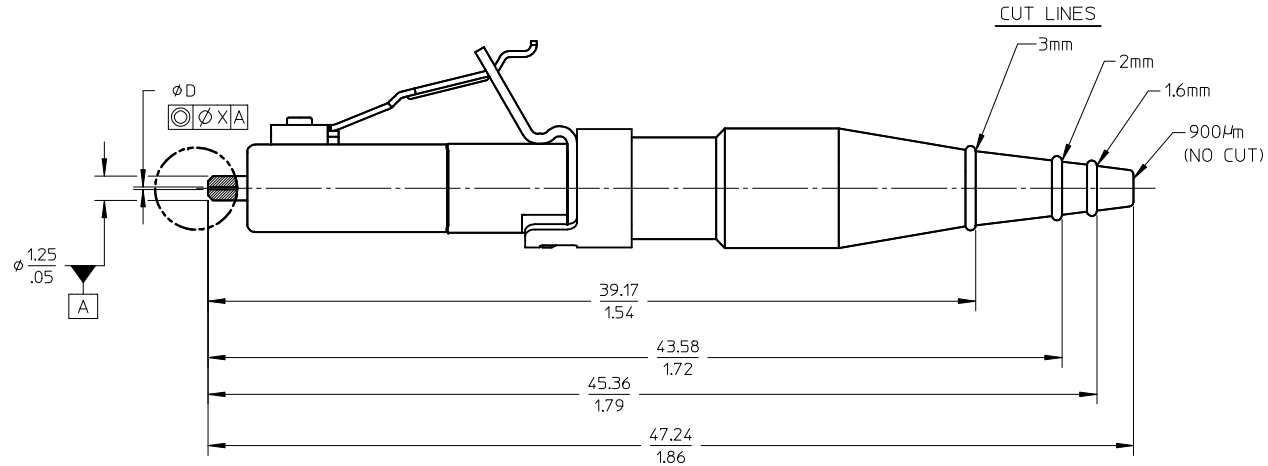
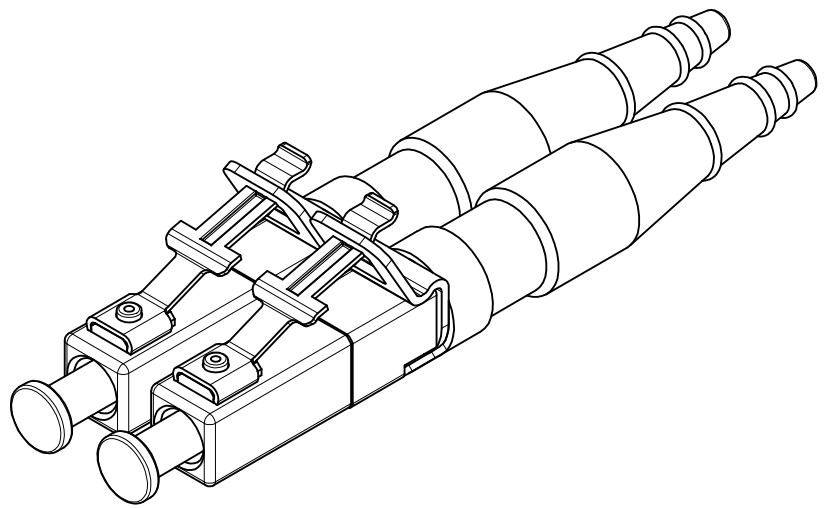
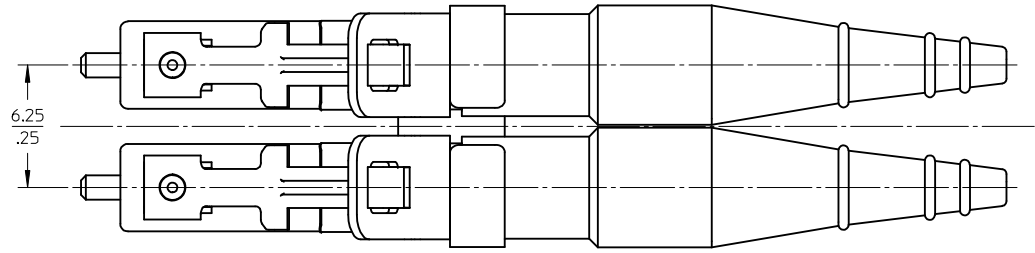


| PART NUMBER | COLOR / TYPE | ØD (µm) | ØX (µm) |
|-------------|--------------|---------|---------|
| 1063722301 | BLUE / SM | 126 | 1 |
| 1063722500 | GOLD / MM | 127 | 3 |
| 1063722501 | | 142 | |
| 1063722502 | | 172 | |



NOTES:
 1. DIMENSIONS ARE FOR REFERENCE ONLY
 2. BOOT CUT AT LINES SHOWN FOR DIFFERENT CABLE SIZES

| ENTER DESCRIPTION EC NO: MF2013-0060 DRW: DMAGHAYERE 2012/07/25 CHKD: APPR: LGUMIN 2012/07/26 A1 | QUALITY SYMBOLS ▽=0 ▽=0 | GENERAL TOLERANCES (UNLESS SPECIFIED) <table border="1"> <thead> <tr> <th></th> <th>mm</th> <th>INCH</th> </tr> </thead> <tbody> <tr> <td>4 PLACES</td> <td>± ---</td> <td>± ---</td> </tr> <tr> <td>3 PLACES</td> <td>± ---</td> <td>± ---</td> </tr> <tr> <td>2 PLACES</td> <td>± ---</td> <td>± ---</td> </tr> <tr> <td>1 PLACE</td> <td>± ---</td> <td>± ---</td> </tr> </tbody> </table> ANGULAR ± 1 ° | | mm | INCH | 4 PLACES | ± --- | ± --- | 3 PLACES | ± --- | ± --- | 2 PLACES | ± --- | ± --- | 1 PLACE | ± --- | ± --- | DIMENSION STYLE MM/IN DRAWN BY: SERNST DATE: 2010/05/07 CHECKED BY: _____ DATE: _____ APPROVED BY: WCHEN DATE: 2010/05/12 MATERIAL NO.: _____ | SCALE: 4:1 DESIGN UNITS: METRIC THIRD ANGLE PROJECTION | TITLE: DUPLEX LC2+ SEALED CONNECTOR MOLEX INCORPORATED DOCUMENT NO. SD-106372-2300 SHEET NO. 1 OF 1 |
|---|-------------------------------|--|---|----|------|----------|-------|-------|----------|-------|-------|----------|-------|-------|---------|-------|-------|---|--|--|
| | | mm | INCH | | | | | | | | | | | | | | | | | |
| | 4 PLACES | ± --- | ± --- | | | | | | | | | | | | | | | | | |
| | 3 PLACES | ± --- | ± --- | | | | | | | | | | | | | | | | | |
| 2 PLACES | ± --- | ± --- | | | | | | | | | | | | | | | | | | |
| 1 PLACE | ± --- | ± --- | | | | | | | | | | | | | | | | | | |
| DRAFT WHERE APPLICABLE MUST REMAIN WITHIN DIMENSIONS | | SEE TABLE | THIS DRAWING CONTAINS INFORMATION THAT IS PROPRIETARY TO MOLEX INCORPORATED AND SHOULD NOT BE USED WITHOUT WRITTEN PERMISSION | | | | | | | | | | | | | | | | | |