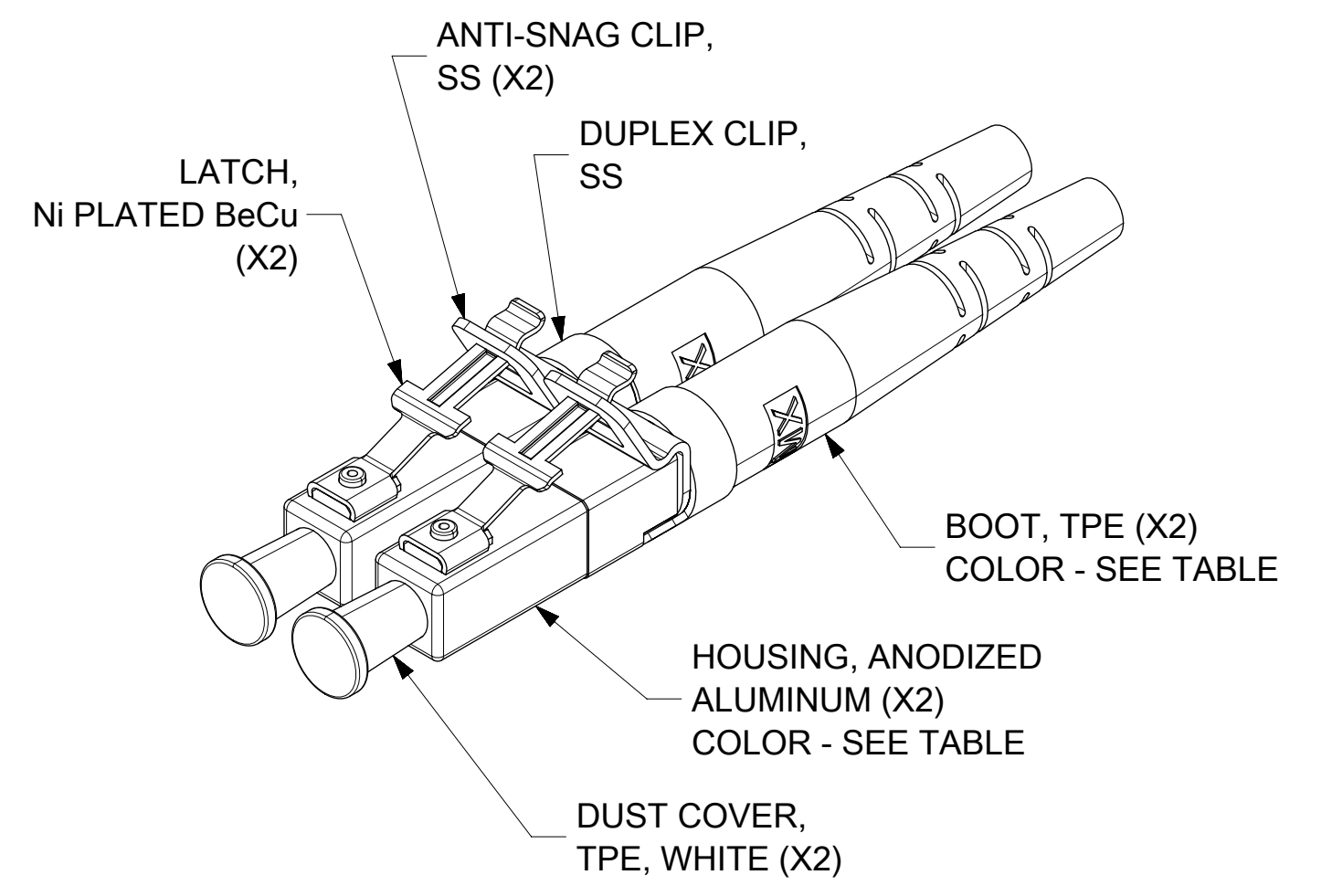
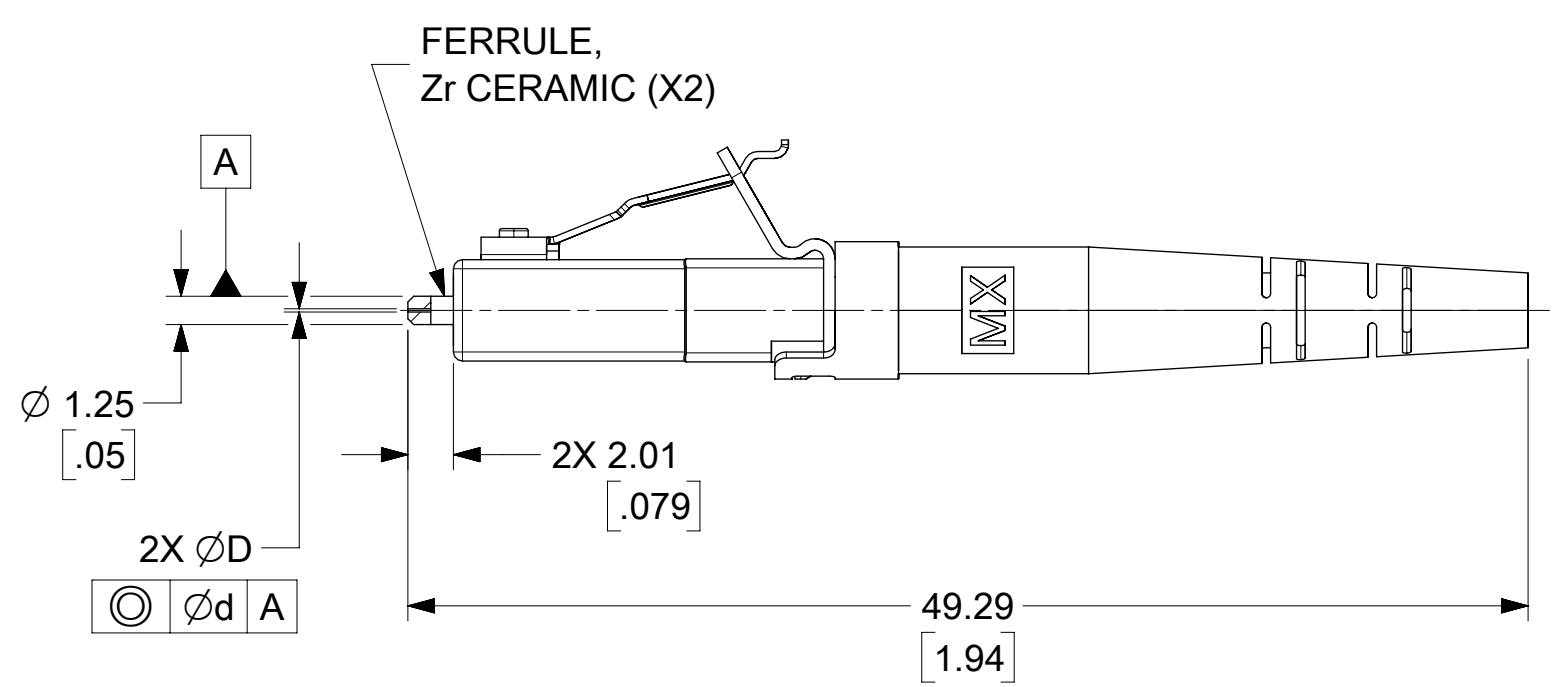
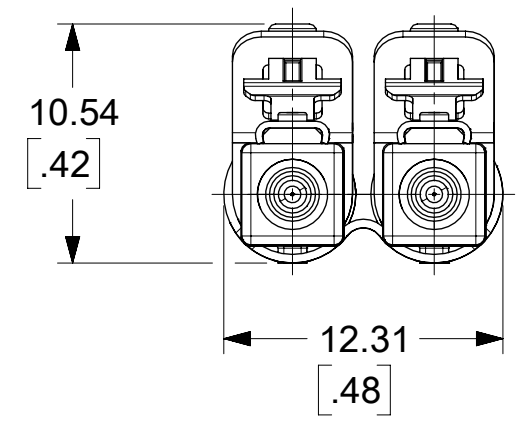
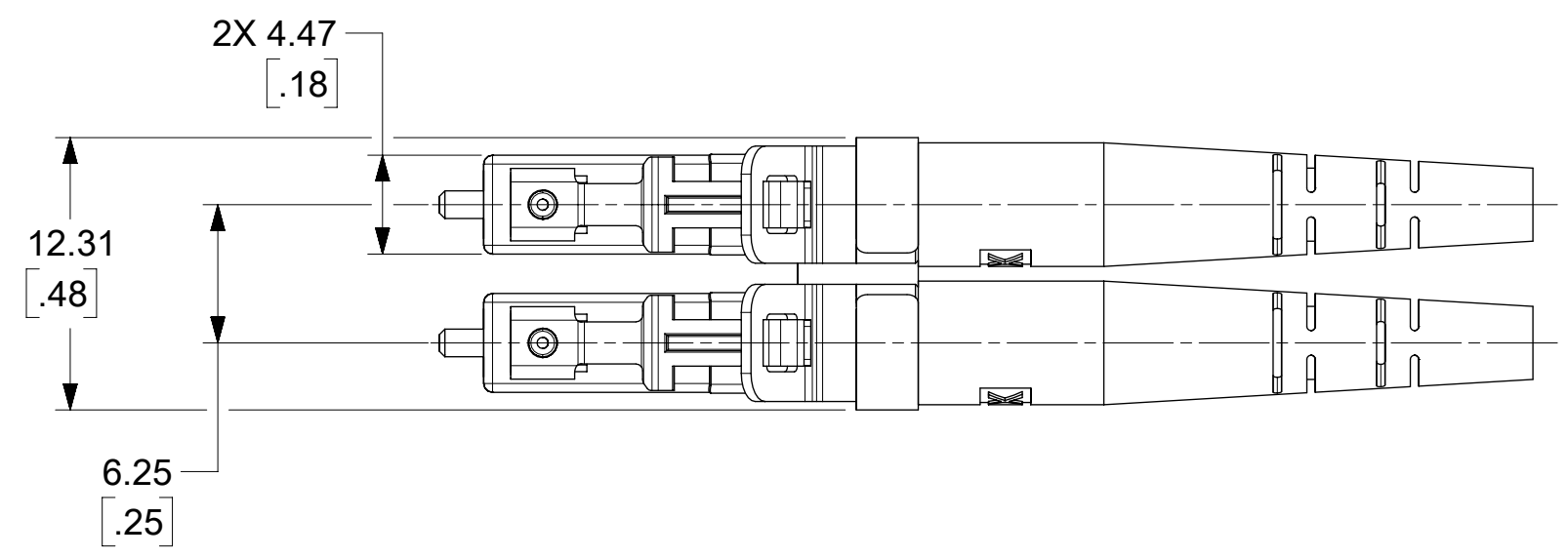


CONNECTOR P/N	ØD (µm)	Ød (µm)	CONNECTOR TYPE	HOUSING COLOR	BOOT COLOR	CABLE DIA. (mm)
1063973000	125.5 +0.5/-0	0.5	Single Mode	Blue	Blue	2.0
1063971604	126.0 +1.0/-0	1.0				
1063972427	127.0 +3.0/-0	3.0	Multimode	Gold	White	1.6
1063973010						2.0



NOTES:

1. INTERFACE DIMENSIONS COMPLY TO IEC 61754-20 TYPE LC CONNECTOR FAMILY.
2. FOR TERMINATION PROCEDURE USE STANDARD LC TERMINATION PROCEDURE. (RECOMMENDED CRIMP TOOL P/N 867445000)
3. CONNECTOR TESTED TO PASS FOLLOWING STANDARDS:
 - TELCORDIA GR-326-CORE (REFER TO TEST REPORT TR8796)

CONNECTOR IS SOLD AS A KIT. CUSTOMER IS RESPONSIBLE TO PERFORM THEIR OWN TEST TO VERIFY THEIR TERMINATION PROCESS AS A FINISHED PRODUCT.

THIS DRAWING CONTAINS INFORMATION THAT IS PROPRIETARY TO MOLEX ELECTRONIC TECHNOLOGIES, LLC AND SHOULD NOT BE USED WITHOUT WRITTEN PERMISSION											
FUNCTIONAL SYMBOLS	DIMENSION UNITS	SCALE	CURRENT REV DESC:								
$\nabla_A = 0$	MM/INCH	3:1	<p>molex</p> <p>LC2+ METAL CONNECTOR, DUPLEX, 1.6MM & 2.0MM CABLE</p> <p>PRODUCT CUSTOMER DRAWING</p> <p>DOCUMENT NUMBER: SD-106397-3000 DOC TYPE: PSD DOC PART: 001 REVISION: C1</p> <p>DRAWING: C-SIZE SERIES: 106397 MATERIAL NUMBER: SEE TABLE CUSTOMER: SHEET NUMBER: 1 OF 1</p>								
$\nabla_C = 0$	GENERAL TOLERANCES (UNLESS SPECIFIED)										
$\nabla_P = 0$	ANGULAR TOL ± 0.5°										
DIVISIONAL SYMBOLS	4 PLACES ±										
	3 PLACES ±		EC NO: 655686 DRWN: IGUMIN 2021/02/15								
	2 PLACES ±		CHK'D: GGENCHANOK 2021/02/18								
	1 PLACE ±		APPR: GGENCHANOK 2021/02/18								
	0 PLACES ±		INITIAL REVISION: DRWN: WCHEN 2009/05/05								
DRAFT WHERE APPLICABLE MUST REMAIN WITHIN DIMENSIONS			THIRD ANGLE PROJECTION			DRAWING			SERIES		