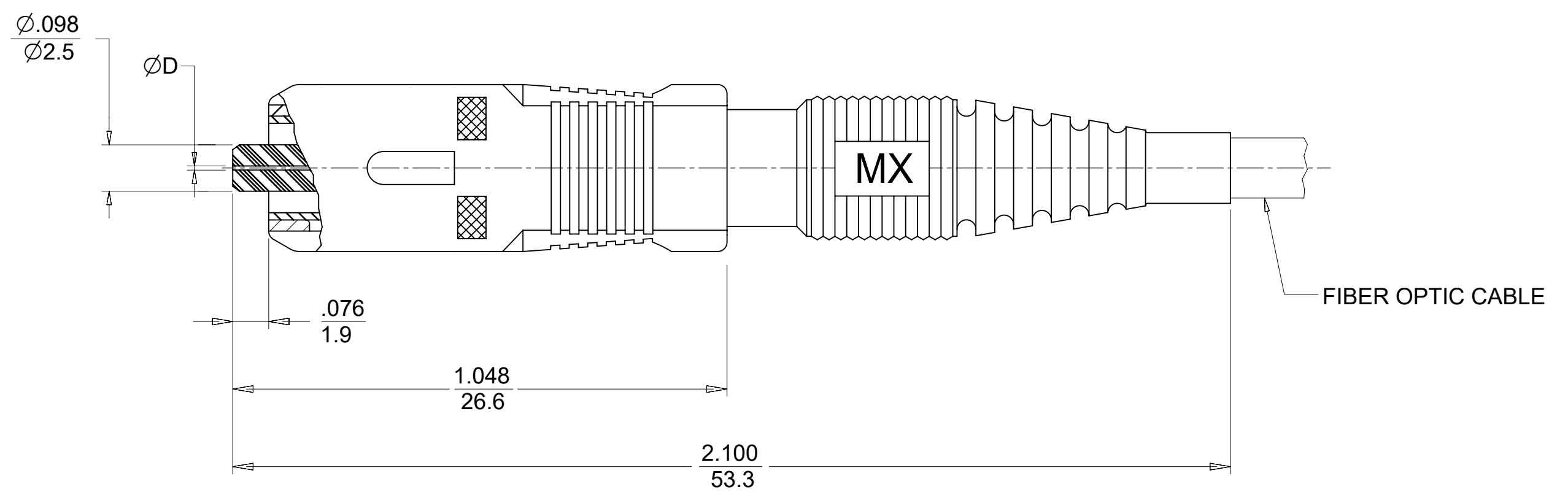
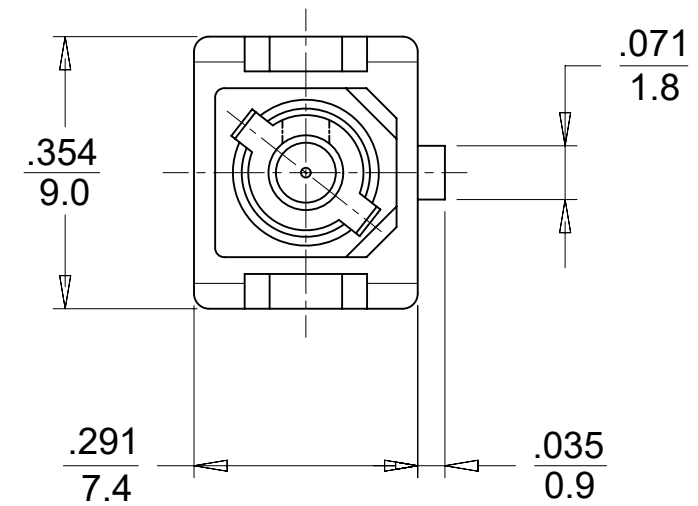


CONNECTOR P/N	∅D (μm)	FERRULE MATERIAL	BOOT COLOR	HOUSING COLOR	CONNECTOR TYPE	CABLE (mm)
106063-0000	127	Zr	BLUE	BLUE	MULTIMODE	3
106063-0060		LOW COST Zr	BEIGE	BEIGE		
106063-0099						
106063-0090 <sup>2</sup>						
106063-0070	128	Zr	BLACK	BLACK		
106063-3000			BLUE	BLUE		
106063-3060			BEIGE	BEIGE		
106063-3070			BLACK	BLACK		

CONNECTOR P/N	∅D (μm)	FERRULE MATERIAL	BOOT COLOR	HOUSING COLOR	CONNECTOR TYPE	CABLE (mm)	
106063-4000	125	Zr	YELLOW	BLUE	SINGLE MODE	3	
106063-4100	125.25		BLACK	BLACK			
106063-4070	125		YELLOW	BLUE			
106063-5000	126		BLACK	BLACK			
106063-5070			YELLOW	BLUE			
106063-7000	127		BLACK	BLACK			
106063-7070			YELLOW	BLUE			
106063-4300	125		LOW COST Zr	YELLOW		BLUE	2.4
106063-5300	126						3
106063-5099							



NOTES:

- 1. ALL DIMENSIONS ARE FOR REFERENCE ONLY.
- <sup>2</sup> P/N 106063-0090 BULK PACKED IN QUANTITIES OF 100 PCS.

THIS DRAWING CONTAINS INFORMATION THAT IS PROPRIETARY TO MOLEX ELECTRONIC TECHNOLOGIES, LLC AND SHOULD NOT BE USED WITHOUT WRITTEN PERMISSION									
DIMENSION UNITS		SCALE		CURRENT REV DESC: REMOVED OBSOLETE PART NUMBER AS PER PCN#512063.				<b>molex</b>	
IN/MM		5:1							
GENERAL TOLERANCES (UNLESS SPECIFIED)				EC NO: 713759				SC CONNECTOR (ONE PIECE DESIGN)	
				DRWN: SANTHN 2022/08/25					
4 PLACES ±				CHK'D: GB 2022/10/07				PRODUCT CUSTOMER DRAWING	
3 PLACES ±				APPR: GB 2022/10/07					
2 PLACES ±				INITIAL REVISION:				DOCUMENT NUMBER	
1 PLACE ±				DRWN: RPACIFICI 2005/12/22					
0 PLACES ±				APPR:				SD-106063-XXX0	
ANGULAR TOL ± 0.5 °				THIRD ANGLE PROJECTION		DRAWING		DOC TYPE	
DRAFT WHERE APPLICABLE MUST REMAIN WITHIN DIMENSIONS				C-SIZE		SERIES		DOC PART	
				106063		MATERIAL NUMBER		REVISION	
				SEE TABLE		CUSTOMER		1 OF 1	
				GENERAL MARKET					