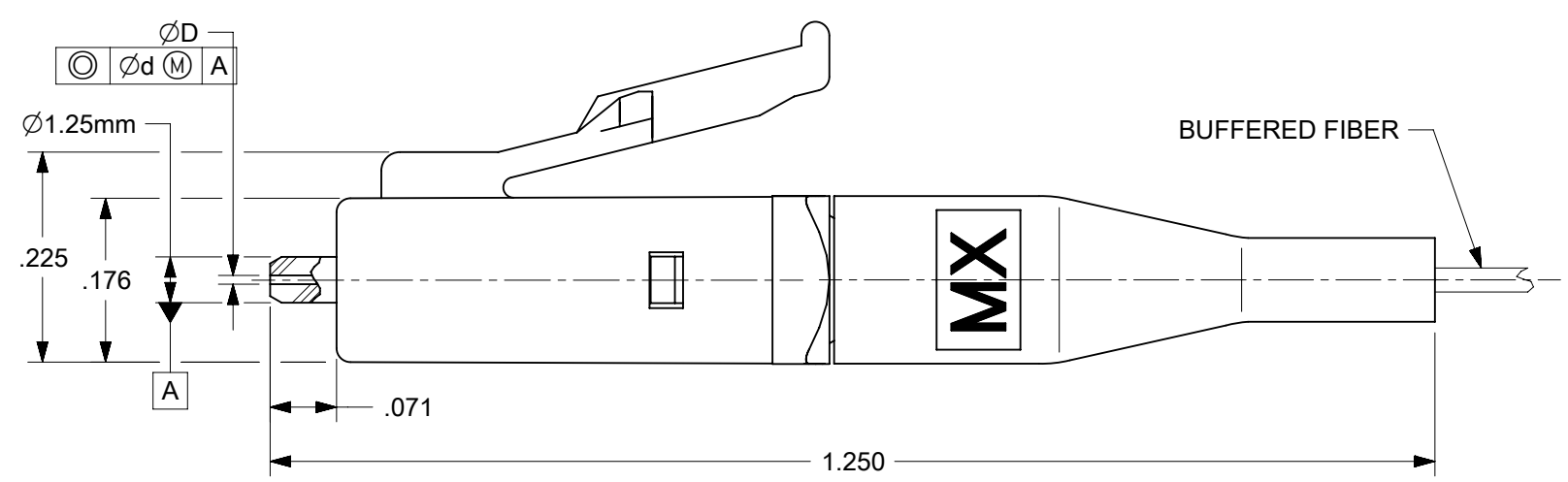
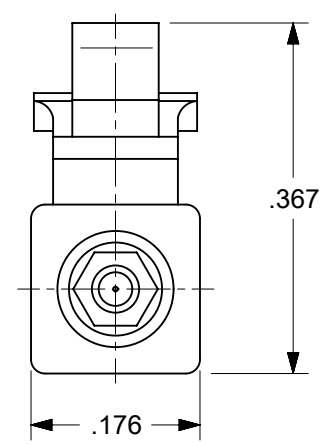


CONNECTOR P/N	øD (µm)	ød (µm)	HOUSING COLOR	BOOT COLOR	CABLE TYPE
106024-2500	125.50 ^{+1.0} ₀	1.0	BLUE	WHITE	SINGLE MODE
106024-3550*	127.00 ^{+3.00} ₀	3.0	BEIGE		MULTIMODE
106024-3500					
106024-4500	125.00 ^{+0.50} ₀	1.0	BLUE	WHITE	SINGLE MODE
106024-5500	126.00 ^{+1.00} ₀				
106024-5540*					
106024-6500	125.25 ^{+0.50} ₀	0.5	BLUE	WHITE	SINGLE MODE
106090-2700	125.50 ^{+0.50} ₀				
106090-4500	125.00 ^{+0.50} ₀				
106090-6500	125.25 ^{+0.50} ₀				
106090-4510	125.2-125.5				
106090-4520	125.51-125.9				
106099-0500	81.0±0.5	1.4			
106024-5530	126.00 ^{+1.00} ₀	1.0	BEIGE	WHITE	

(DUST CAP NOT SHOWN)



NOTE:
 1. ALL DIMENSIONS ARE GIVEN IN INCHES/MM, EXCEPT OTHERWISE SPECIFIED.
 *2. P/N 106024-3310 AND 106024-5540 ARE BULK PACKED.
 3. TUBING MUST BE SHORTENED AFTER FILLING THE EPOXY ACCORDING TO THE TERMINATION PROCEDURE P/N PS-86028-2000

THIS DRAWING CONTAINS INFORMATION THAT IS PROPRIETARY TO MOLEX ELECTRONIC TECHNOLOGIES, LLC AND SHOULD NOT BE USED WITHOUT WRITTEN PERMISSION									
DIMENSION UNITS INCH		SCALE 5:1		CURRENT REV DESC:				molex	
GENERAL TOLERANCES (UNLESS SPECIFIED)				LC CONNECTOR (BARE FIBER)					
4 PLACES ±		MM		INCH		EC NO: 695254		PRODUCT CUSTOMER DRAWING	
3 PLACES ± 0.38		± 0.005				DRWN: JHUANG18 2022/01/20		DOCUMENT NUMBER	
2 PLACES ±						CHK'D: IGUMIN 2022/04/29		SD-1060KK-KKK0	
1 PLACE ±						APPR: IGUMIN 2022/04/29		DOC TYPE	
0 PLACES ±						INITIAL REVISION:		DOC PART	
ANGULAR TOL ± 1.0 °						DRWN: PGIBLIN 2005/09/02		REVISION	
						APPR: IGUMIN 2005/10/24		D	
DRAFT WHERE APPLICABLE MUST REMAIN WITHIN DIMENSIONS				THIRD ANGLE PROJECTION		DRAWING		SHEET NUMBER	
				B-SIZE		SERIES		1 OF 1	
				106024		MATERIAL NUMBER		GENERAL MARKET	
				SEE TABLE		CUSTOMER			