

Terminal outlet - VS-TO-RO-MCBK-F1420/1420 - 1404317

Please be informed that the data shown in this PDF Document is generated from our Online Catalog. Please find the complete data in the user's documentation. Our General Terms of Use for Downloads are valid (<http://phoenixcontact.com/download>)



Terminal outlet SC-RJ IP65/67, 2 slots version 6, with protective plugs, 2 cable entries

Terminal outlet 2 x SC-RJ

Product Features

- ✓ Easy installation, thanks to captive cover screws
- ✓ Robust design
- ✓ Including covers to protect against environmental influences
- ✓ Integrated cable management system
- ✓ For the connection of 2x SC-RJ IP65/67 connectors



Ethernet

Key commercial data

Packing unit	1 pc
Weight per Piece (excluding packing)	700.0 GRM
Custom tariff number	85369085
Country of origin	Germany

Technical data

Mechanical characteristics

Number of positions	2
Number of slots	2
Connection profile	SCRJ according to DIN EN 50377-6-1
Fiber type	GOF, HCS, POF
Fiber	POF, PCF, GOF
Ferrule diameter	2.50 mm
Insertion/withdrawal cycles	≥ 500
Color	black

Ambient conditions

Terminal outlet - VS-TO-RO-MCBK-F1420/1420 - 1404317

Technical data

Ambient conditions

Ambient temperature (operation)	-40 °C ... 70 °C
Degree of protection	IP65/IP67

Material data

Housing material	Aluminum cast alloy, powder-coated
Ferrule material	Zirconia ceramics

Classifications

eCl@ss

eCl@ss 4.0	272607xx
eCl@ss 4.1	27260701
eCl@ss 5.0	27260701
eCl@ss 5.1	27259205
eCl@ss 6.0	27269202
eCl@ss 7.0	27449203

ETIM

ETIM 3.0	EC001121
ETIM 4.0	EC002598
ETIM 5.0	EC002598

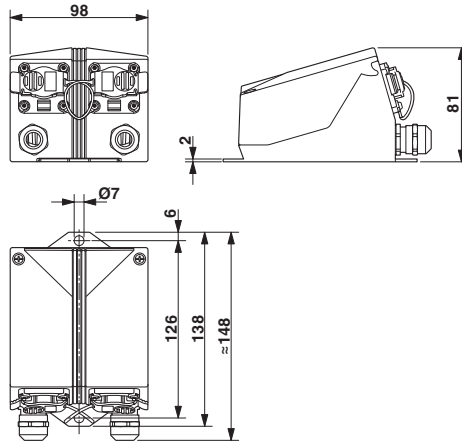
UNSPSC

UNSPSC 6.01	31261501
UNSPSC 7.0901	31261501
UNSPSC 11	31261501
UNSPSC 12.01	31261501
UNSPSC 13.2	31261501

Drawings

Terminal outlet - VS-TO-RO-MCBK-F1420/1420 - 1404317

Dimensioned drawing



Terminal outlet 2 x SC-RJ