

LC SIMPLEX PC MULTIMODE ADAPTOR
 ZIRCONIA ALIGNMENT SLEEVE

 Packaging
 100

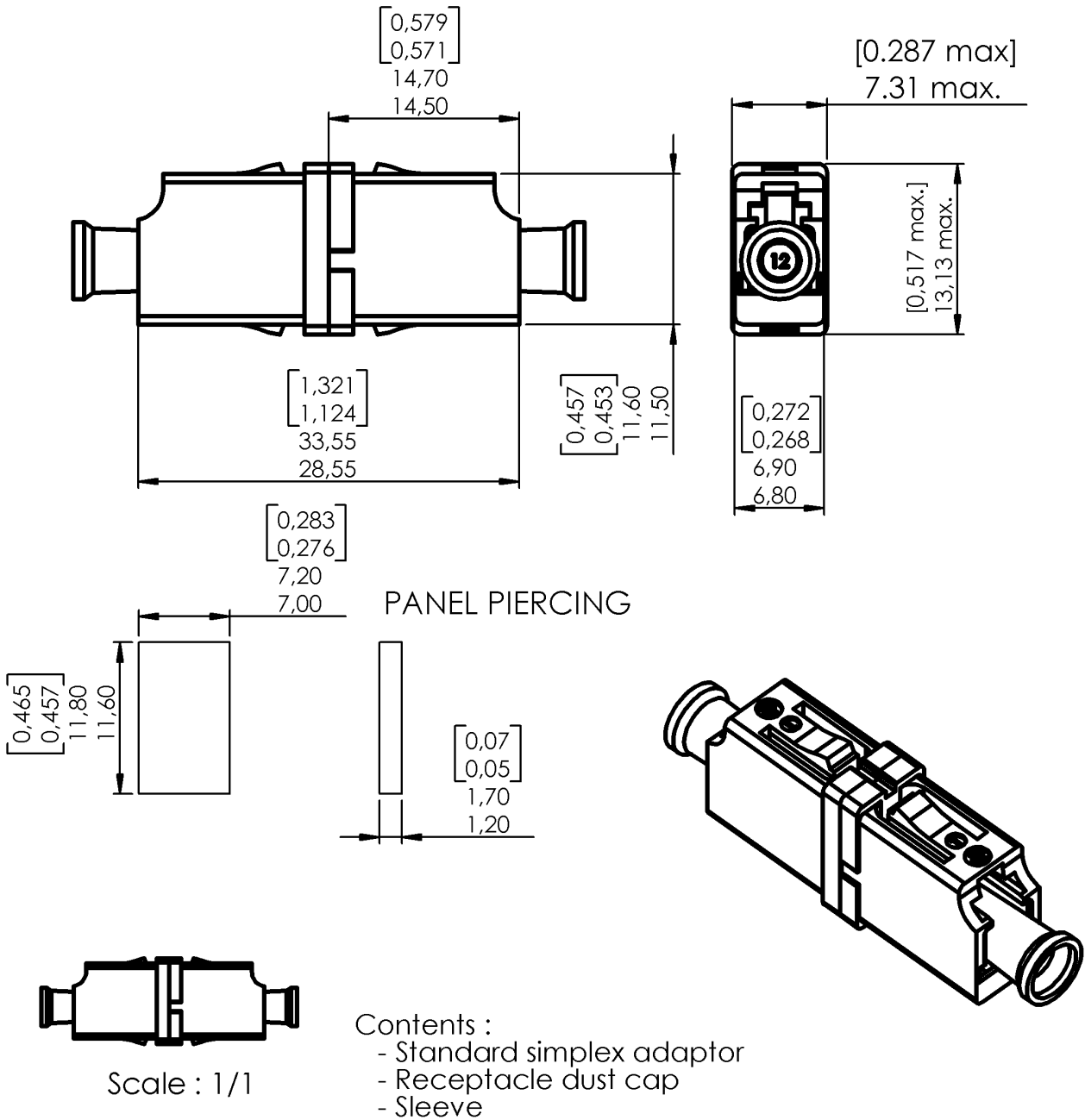
 Series
 LC

 Issue
 08/20/03

 Page
 1 / 2

Adaptor : color BEIGE

Simplex



Original dimensions in mm [inch]

LC SIMPLEX PC MULTIMODE ADAPTOR
 ZIRCONIA ALIGNMENT SLEEVE

 Packaging
 100

 Series
 LC

 Issue
 08/20/03

 Page
 2 / 2

Adaptor : color BEIGE

Simplex

GENERAL

- TYPE** IEC 61754-20 (LC)
 RJ-45 latching system
 Receptacle color : BEIGE

- MOUNTING** Snap-in mounting
 Max. panel thickness 1.7 mm

- ALIGNMENT SLEEVE** Zirconia

CHARACTERISTICS (Depending on fibre or cable construction)

- MATERIAL** Plastic molded : Material in accordance with TELCORDIA GR-326 CORE
 Inflammability V0 (UL 94)

- MECHANICAL**

Durability	200 cycles
Plug Retention	68 N

- ENVIRONMENTAL**

Storage temperature range	-40 °C to +85 °C
Operating temperature range	-40 °C to +70 °C

- PROOF TEST**

Straight pull	68 N
Side pull	23 N

- VIBRATION TEST** 10 to 55 Hz, 1,5 mm (peak to peak), 2 Hr/axis

(Performance and specification : see document GEN - F727 001)