



SC

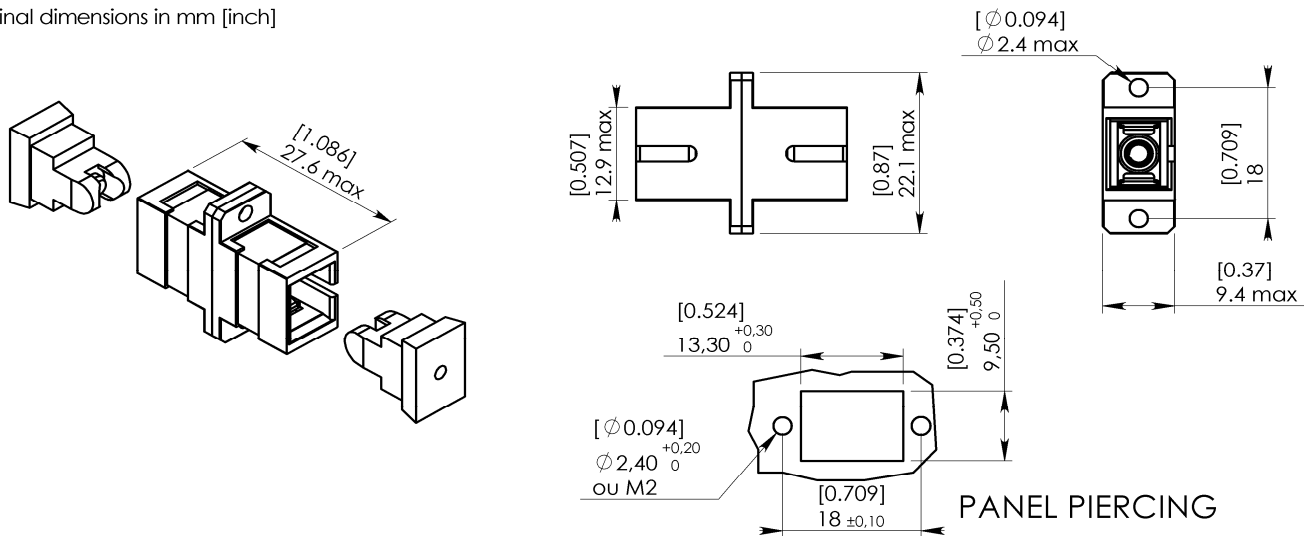
APC SIMPLEX ADAPTOR

ZIRCONIA ALIGNEMENT SLEEVE

Packaging : **F 7 2 8 7 0 0 1 0 0**
1

Packaging : **F 7 2 8 7 1 0 1 0 0**
100

Original dimensions in mm [inch]



GENERAL

- Type** : IEC 61754-4 SC type. Push-pull latching system
Body color : green
- Mounting** : flange screw - in mounting
- Alignment sleeve** : zirconia

CHARACTERISTICS (Dependant on fiber or cable construction)

- Material** : **Plastic moulded** Material in accordance with BELLCORE GR 326 CORE Issue 2, par. 3.3.1 Inflammability V1 (UL94)
- Optical** : Attenuation (according to IEC 1300-3-4:Substitution method, 7 type) at 1310nm : 0,11 dB Max
0,05 dB Typ
- Mechanical** : **Durability** Bellcore 326, 200 cycles
Plug Retention > 68N
- Environmental** : **Temperature range** (storage/operating) -40°C to +85°C / -40°C to +70°C
- Salt spray** : EIA/TIA-455-16A, 35°C, 168 hr.
- Vibration test** : Bellcore 326, 10 to 50 Hz, 2 hrs./axis
- Proof test** : Bellcore 326, Straight pull : 6,8Kg load at 0°
Side pull : 3,5 Kg load at 90°

CREATION

N°:				
PEN/EP : CAT.				
Name : CAUSSE C.				
Date : 23 Jul.99	01/09/02	performance specified	VALENCIA	
App. : LV	Issue	Revisions	Name	App.

RADIALL

101, rue P. Hoffmann - Z.I. Ouest
93116 ROSNY / BOIS Cedex-France
Phone : (0033) 149353535
Fax : (0033) 48546363