

SINGLEMODE SIMPLEX ADAPTOR – ZIRCONIA SLEEVE ALIGNEMENT

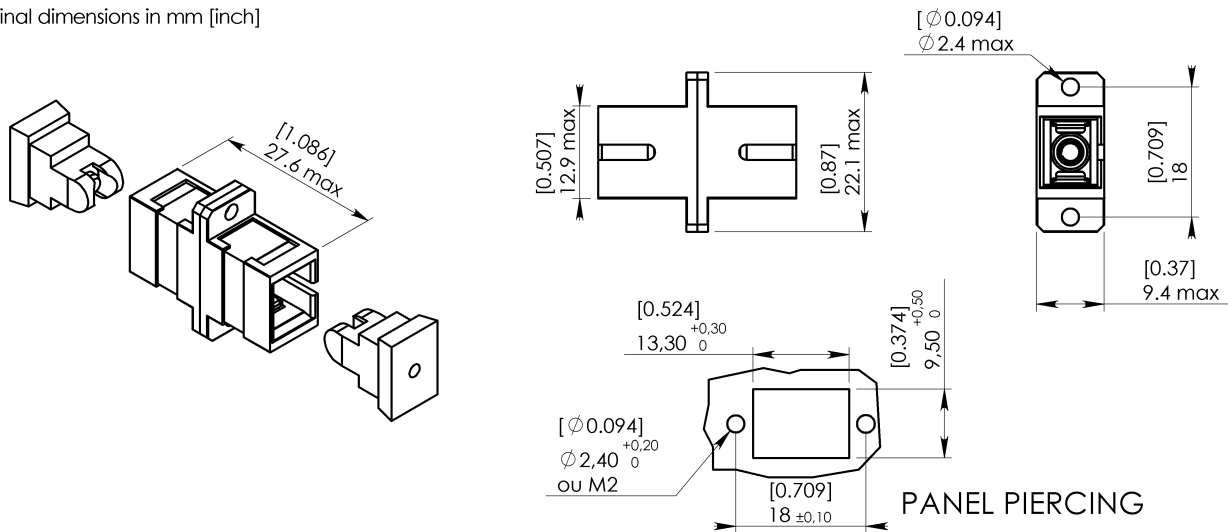
Series
SC

Packaging
1

Issue
4/01/2011

Page
1/1

Original dimensions in mm [inch]



GENERAL

- Type :** IEC 61754-4 SC type. Push pull latching system
Body color : blue
- Mounting :** Flange screw – in mounting
- Alignment sleeve :** Zirconia

CHARACTERISTICS (Dependant on fiber or cable construction)

- Material : Plastic moulded** Material in accordance with BELLCORE GR 326 CORE Issue 2, par.3.3.1
Inflammability V1 (UL94)
- Optical :** Attenuation (according to IEC 61300-3-4:Substitution method, 7 type) at 1310nm :
0.25 dB Max / 0.07 dB Typ
- Mechanical : Durability** Bellcore 326, 500 cycles
Plug Retention > 68 N
- Environmental : Temperature range (storage/operating)** -40°C to +85°C
- Salt spray :** EIA/TIA -455-16A, 35°C, 168 hr.
- Vibration test :** Bellcore 326, 10 to 50 Hz, 2 hrs./axis
- Proof test :** Bellcore 326, Straight pull : 6.8 Kg load at 0°
Side pull : 3.5 Kg load at 90°

| | | | | | |
|-----------------|----------|---|----------|-------|---|
| CREATION | | | | | RADIALL® 101, rue P. Hoffmann 93116 ROSNY/BOIS FRANCE Tel : (33) 0149353535 Fax : (33) 0148546363 |
| PEN/EP CAT | | | | | |
| Name: CAUSSE.C | 4Jan 11 | Mise à jour des performances mécaniques | Poret | HD | |
| Date: 23 jul 99 | 10 jan02 | Performance specified | Valencia | LV | |
| Appr.: LV | Issue | Revisions | Name | Appr. | |