

LC DUPLEX APC SINGLEMODE ADAPTOR
ZIRCONIA ALIGNMENT SLEEVE

Packaging
100

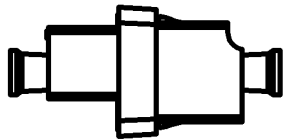
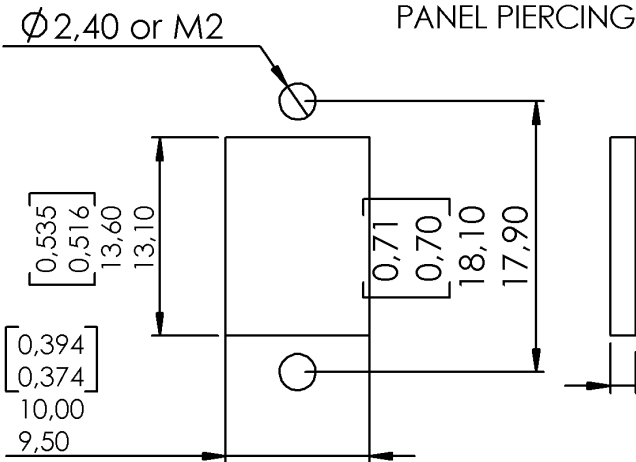
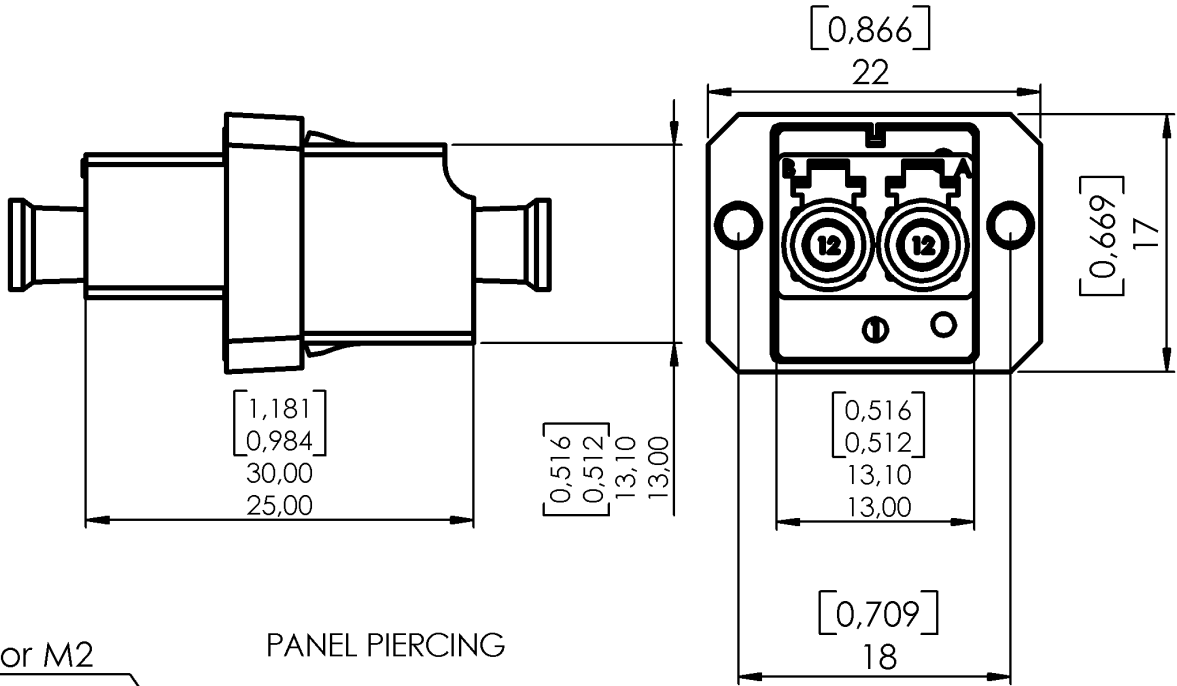
Series
LC

Issue
12/03/03

Page
1 / 2

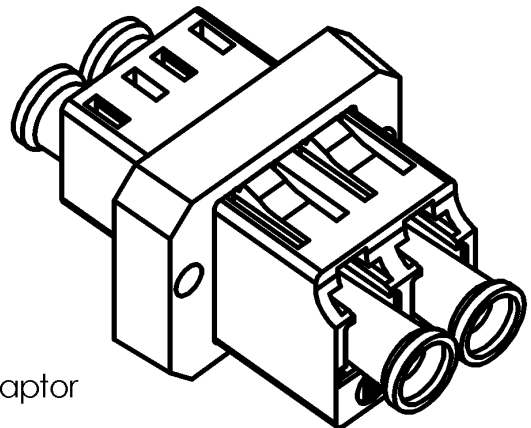
Adaptor : color GREEN

Duplex



Scale : 1/1

- Contents :
- Low profile duplex adaptor
 - Receptacle dust cap
 - Sleeve



Original dimensions in mm [inch]

LC DUPLEX APC SINGLEMODE ADAPTOR
ZIRCONIA ALIGNMENT SLEEVE

Packaging
100

Series
LC

Issue
12/03/03

Page
2 / 2

Adaptor : color GREEN

Duplex

GENERAL

- ❑ **TYPE** IEC 61754-20 (LC)
Receptacle color : GREEN
- ❑ **MOUNTING** SC panel cut-out screw in
Max. panel thickness 1.7 mm
- ❑ **ALIGNMENT SLEEVE** Zirconia

CHARACTERISTICS (Depending on fibre or cable construction)

- ❑ **MATERIAL** Plastic moulded : Material in accordance with TELCORDIA GR-326 CORE
flammability V0 (UL 94)
- ❑ **MECHANICAL** Durability 200 cycles
Plug Retention 68 N
- ❑ **ENVIRONMENTAL** Storage temperature range -40 °C to +85 °C
Operating temperature range -40 °C to +70 °C
- ❑ **PROOF TEST** Straight pull 68 N
Side pull 23 N
- ❑ **VIBRATION TEST** 10 to 55 Hz, 1,5 mm (peak to peak), 2 Hr/axis

(Performance and specification : see document GEN - F727 001)