

**MULTIMODE DUPLEX ADAPTOR – ZIRCONIA SLEEVE  
ALIGNEMENT**

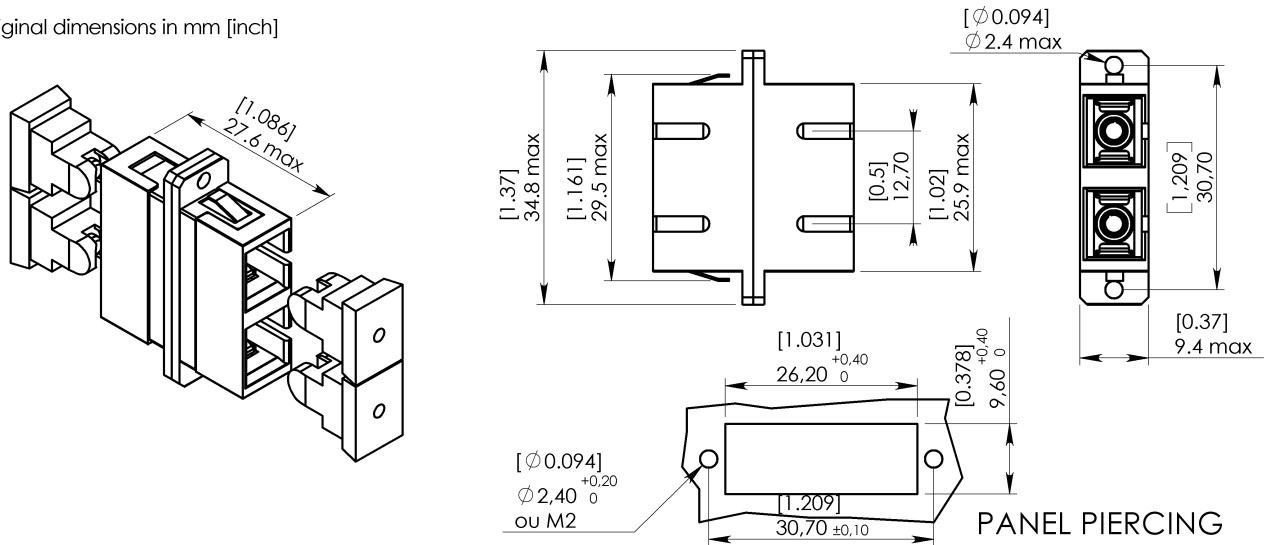
 Series  
SC

 Packaging  
100

 Issue  
30-12-2010

 Page  
1/1

Original dimensions in mm [inch]


**GENERAL**

- Type :** IEC 60874-19 SC type. Push pull latching system  
Body color : AQUA
- Mounting :** Snap-in (or screw-in) mounting max. panel thickness 1.6 mm
- Alignment sleeve :** Zirconia

**CHARACTERISTICS** *(Dependant on fiber or cable construction)*

- Material : Plastic moulded** Material in accordance with BELLCORE GR 326 CORE Issue 2, par.3.3.1  
Inflammability V1 (UL94)  
Stainless steel
- Clip**
- Optical :** Attenuation (according to IEC 61300-3-4:Substitution method, 7 type) at 1310nm :  
0.02 dB Max / 0.01 dB Typ
- Mechanical : Durability** Bellcore 326, 500 cycles  
**Plug Retention** > 68 N
- Environmental : Temperature range (storage/operating)** -40°C to +85°C
- Salt spray :** EIA/TIA -455-16A, 35°C, 168 hr.
- Vibration test :** Bellcore 326, 10 to 50 Hz, 2 hrs./axis
- Proof test :** Bellcore 326, Straight pull : 6.8 Kg load at 0°  
Side pull : 3.5 Kg load at 90°

CREATION

 PEN/EP EPM 1005  
Name: S.P  
Date: dec, 30 2010  
Appr.: H.D

Issue

Revisions

Name

Appr.

**RADIALL**<sup>®</sup>

 101, rue P. Hoffmann  
93116 ROSNY/BOIS  
FRANCE  
Tel : (33) 0149353535  
Fax : (33) 0148546363