

MULTIMODE SIMPLEX ADAPTOR – ZIRCONIA SLEEVE ALIGNEMENT

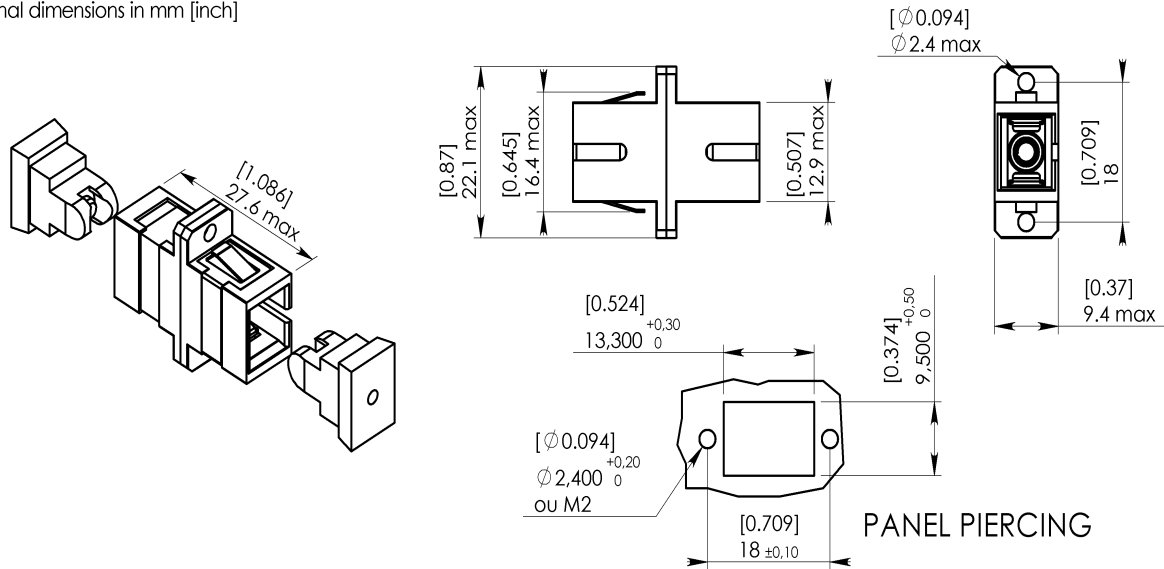
Series
SC

Packaging
100

Issue
30-12-2010

Page
1/1

Original dimensions in mm [inch]



GENERAL

- Type :** IEC 60874 19 SC type. Push pull latching system
Body color : AQUA
- Mounting :** Snap-in (or screw-in) mounting max panel thickness 1.6 mm
- Alignment sleeve :** Zirconia

CHARACTERISTICS (Dependant on fiber or cable construction)

- Material : Plastic moulded** Material in accordance with BELLCORE GR 326 CORE Issue 2, par.3.3.1
- Clip** Inflammability V1 (UL94)
Stainless steel
- Optical :** Attenuation (according to IEC 61300-3-4:Substitution method, 7 type) at 1310nm :
0.05 dB Max / 0.02 dB Typ
- Mechanical : Durability** Bellcore 326, 500 cycles
- Plug Retention** > 68 N
- Environmental : Temperature range (storage/operating)** -40°C to +85°C / -40°C to +70°C
- Salt spray :** EIA/TIA -455-16A, 35°C, 168 hr.
- Vibration test :** Bellcore 326, 10 to 50 Hz, 2 hrs./axis
- Proof test :** Bellcore 326, Straight pull : 6.8 Kg load at 0°
Side pull : 3.5 Kg load at 90°

CREATION						RADIALL® 101, rue P. Hoffmann 93116 ROSNY/BOIS FRANCE Tel : (33) 0149353535 Fax : (33) 0148546363
PEN/EP EPM 1005						
Name: S. P						
Date: Dec, 30 2010						
Appr.: H.D	Issue	Revisions	Name	Appr.		