

SINGLEMODE SIMPLEX ADAPTOR – ZIRCONIA SLEEVE ALIGNEMENT

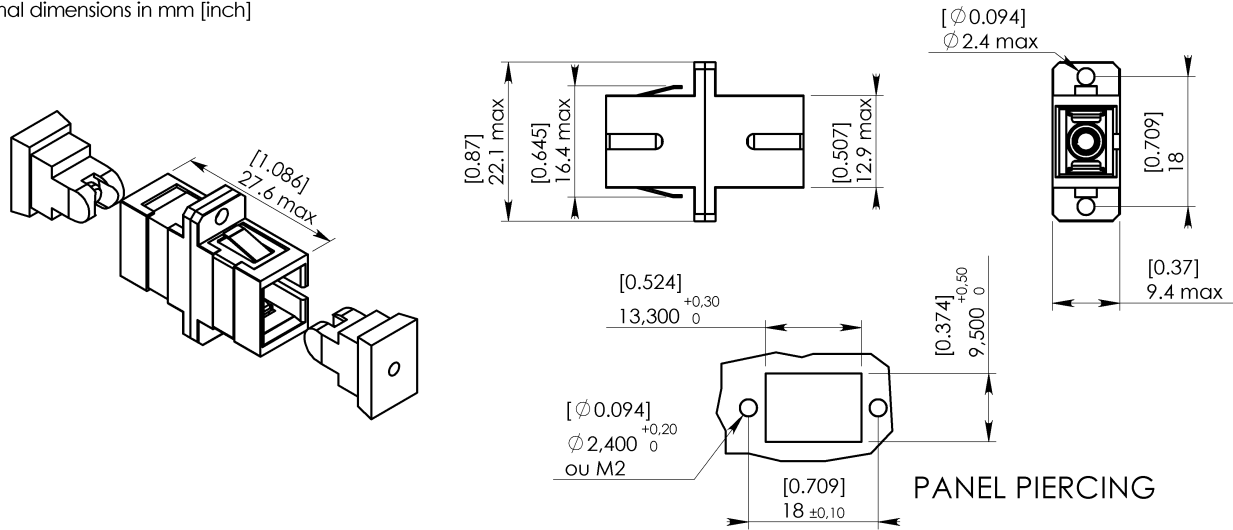
Series  
SC

Packaging  
1

Issue  
4/01/2011

Page  
1/1

Original dimensions in mm [inch]



**GENERAL**

- Type :** IEC 61754-4 SC type. Push pull latching system  
Body color : blue
- Mounting :** Snap-in (or crew-in) mounting max panel thickness 1,6 mm
- Alignment sleeve :** Zirconia

**CHARACTERISTICS** (Dependant on fiber or cable construction)

- Material : Plastic moulded** Material in accordance with BELLCORE GR 326 CORE Issue 2, par.3.3.1  
Inflammability V1 (UL94)
- Optical :** Attenuation (according to IEC 61300-3-4:Substitution method, 7 type) at 1310nm :  
0.25 dB Max / 0.07 dB Typ
- Mechanical : Durability** Bellcore 326, 500 cycles  
**Plug Retention** > 68 N
- Environmental : Temperature range (storage/operating)** -40°C to +85°C.
- Salt spray :** EIA/TIA -455-16A, 35°C, 168 hr.
- Vibration test :** Bellcore 326, 10 to 50 Hz, 2 hrs/axis
- Proof test :** Bellcore 326, Straight pull : 6.8 Kg load at 0°  
Side pull : 3.5 Kg load at 90°

CREATION					<b>RADIALL®</b> 101, rue P. Hoffmann 93116 ROSNY/BOIS FRANCE Tel : (33) 0149353535 Fax : (33) 0148546363
PEN/EP CAT					
Name: CAUSSE	04Jan11	Mechanical performances update	Poret	HD	
Date: 23 jul 99	10Jan02	Performance specified	Valencia	VL	
Appr.: LV	Issue	Revisions	Name	Appr.	