

**MULTIMODE DUPLEX ADAPTOR – ZIRCONIA SLEEVE
ALIGNEMENT**

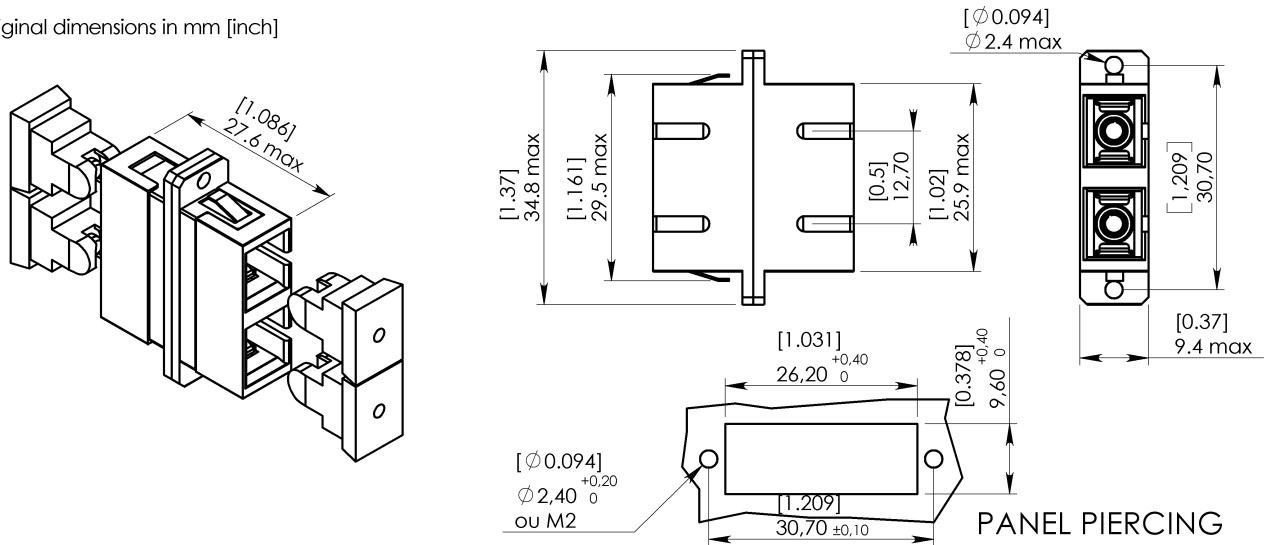
 Series
SC

 Packaging
100

 Issue
04-01-2011

 Page
1/1

Original dimensions in mm [inch]


GENERAL

Type : IEC 60874-19 SC type. Push pull latching system
Body color : beige

Mounting : flange screw – in mounting

Alignment sleeve : zirconia

CHARACTERISTICS *(Dependant on fiber or cable construction)*

Material : Plastic moulded Material in accordance with BELLCORE
GR 326 CORE Issue 2, par.3.3.1
Inflammability V1 (UL94)

Optical : Attenuation (according to IEC 61300-3-4:Substitution method, 7 type) at 1310nm :
0.02 dB Max / 0.01 dB Typ

Mechanical : Durability Bellcore 326, 500 cycles
Plug Retention > 68 N

Environmental : Temperature range (storage/operating) -40°C to +85°C

Salt spray : EIA/TIA -455-16A, 35°C, 168 hr.

Vibration test : Bellcore 326, 10 to 50 Hz, 2 hrs./axis

Proof test : Bellcore 326, Straight pull : 6.8 Kg load at 0°
Side pull : 3.5 Kg load at 90°

CREATION

 PEN/EP CAT
Name: CAUSSE C
Date: 23 jul.99
Appr.: LV

04 Jan 11	Mise a jour performances mécaniques
10 Jan.02	performance specified
Issue	Revisions

Poret	HD
Valencia	LV
Name	Appr.

RADIALL[®]

 101, rue P. Hoffmann
93116 ROSNY/BOIS
FRANCE
Tel : (33) 0149353535
Fax : (33) 0148546363