

LC DUPLEX PC SINGLEMODE ADAPTOR
ZIRCONIA ALIGNMENT SLEEVE

Packaging
100

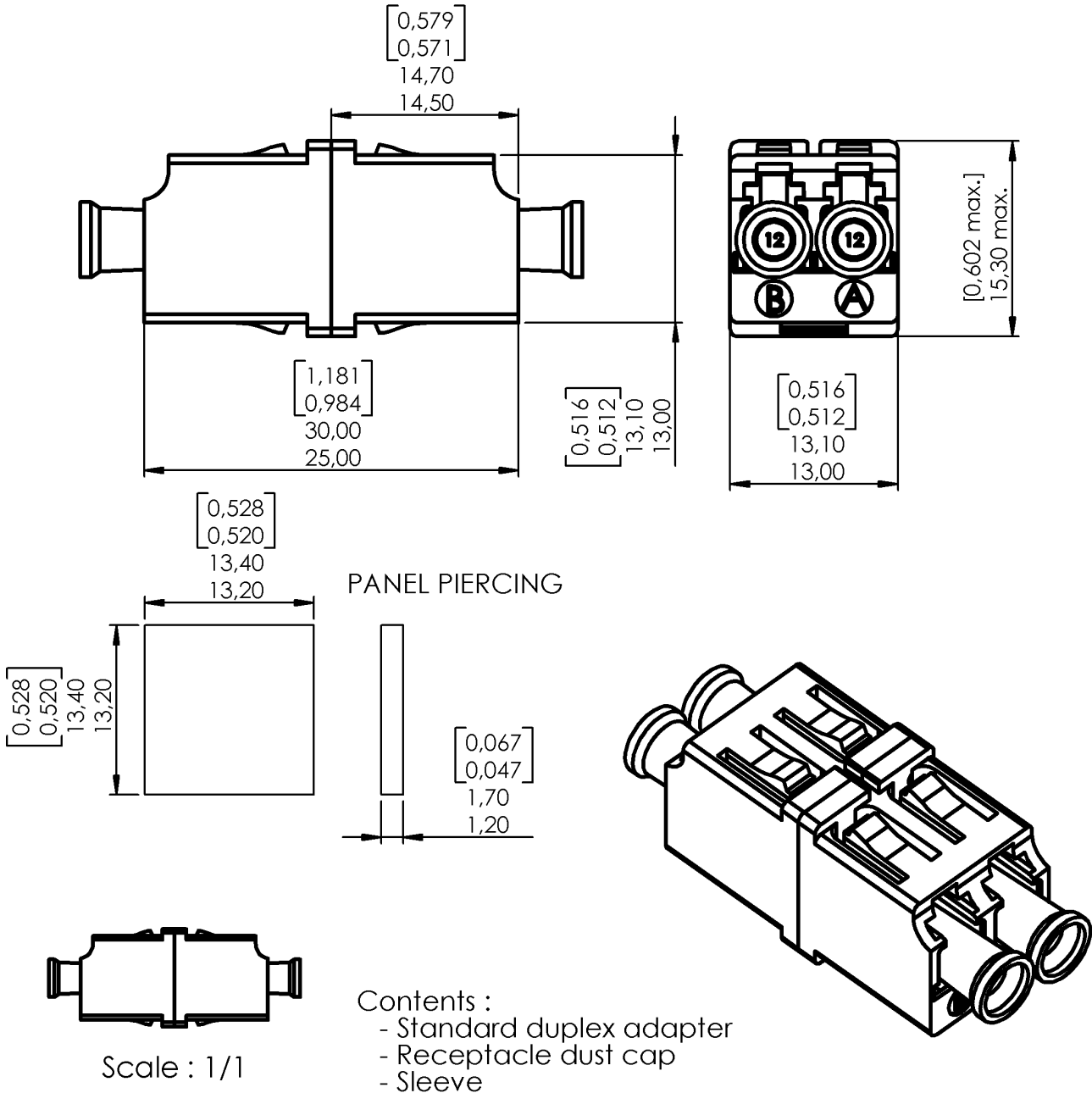
Series
LC

Issue
12 11 02

Page
1 / 2

Adaptor : color BLUE

Duplex



Original dimensions in mm [inch]

LC DUPLEX PC SINGLEMODE ADAPTOR
ZIRCONIA ALIGNMENT SLEEVE

Packaging
100

Series
LC

Issue
12 11 02

Page
2 / 2

Adaptor : color BLUE

Duplex

GENERAL

- TYPE** IEC 61754-20 (LC)
RJ-45 latching system
Receptacle color : BLUE
- MOUNTING** Snap-in mounting
Max. panel thickness 1.7 mm
- ALIGNMENT SLEEVE** Zirconia

CHARACTERISTICS (Depending on fibre or cable construction)

- MATERIAL** Plastic molded : Material in accordance with TELCORDIA GR-326 CORE
Inflammability V0 (UL 94)
- MECHANICAL** Durability 200 cycles
- ENVIRONMENTAL** Storage temperature range -40°C to +85°C
Operating temperature range -40°C to +70°C
- PROOF TEST** Straight pull 68 N
Side pull 23 N
- VIBRATION TEST** 10 to 55 Hz, 1,5 mm (peak to peak), 2 Hr/axis

(Performance and specification : see document GEN - F727 001)