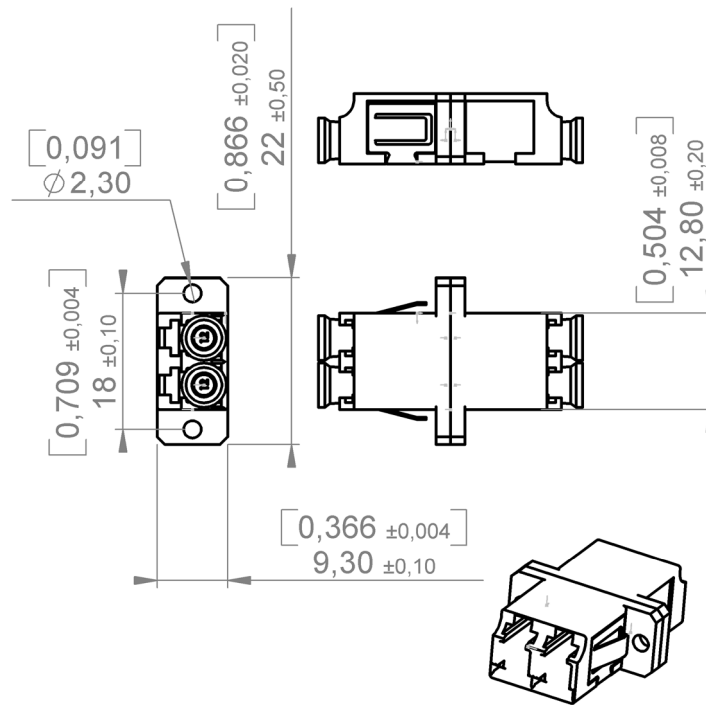




Title : LC DUPLEX APC SM ADAPTOR ZR ALIGNEMENT SLEEVE

Packaging
100Series
F727Issue
Nov. 14th 06Page
1/1Dimensions : mm / (inches)**GENERAL**

- TYPE** IEC 61754 - 20 (LC)
Receptacle colour : Green
- MOUNTING** SC panel cut-out screw in (max. panel thickness 1.6mm)
- ALIGNEMENT SLEEVE** Zirconia

CHARACTERISTICS (Depending on fibre or cable construction)

- MATERIAL** Plastic moulded (body UL94 V0 rated)
- MECHANICAL** Durability : 200 cycles
- ENVIRONMENTAL** Storage temperature - 40°C / + 85°C
Operating temperature - 25°C / + 70°C

CREATION				RADIALL ®	
N°:				101, rue P. Hoffmann	
EPF : PEN				93116 ROSNY/BOIS	
F061200333				FRANCE	
Name : LV				Tel : (33) 0149353535	
Date : Nov 14 th 06				Fax : (33) 0148546363	
Appr : GM	Issue	Revisions	Name	Appr.	