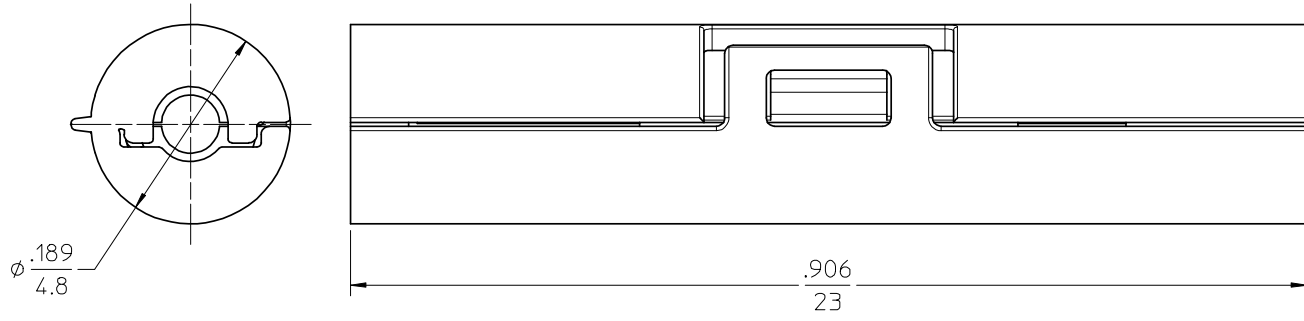
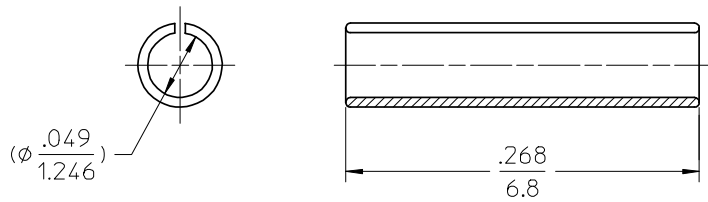


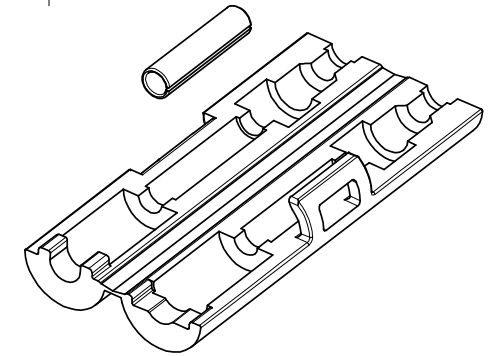
KIT P/N	HOUSING COLOR
106073-0021	BLACK
106073-0025	CLEAR



HOUSING (SCALE 8:1)



ALIGNMENT SLEEVE (ZIRCONIA CERAMIC)



ISOMETRIC VIEW SCALE 4:1

NOTES:

1. ALL DIMENSIONS ARE FOR REFERENCE ONLY.
2. ALL PARTS ARE PACKED IN ONE BAG - 1 KIT PER BAG.
3. ALL PLASTIC MATERIALS ARE UL-94 V-0 RATED.

ENTER DESCRIPTION EC NO: MF2008-0263 DRWN:KPEVZNER CHKD: 2007/12/14 APPR: IGUMIN 2008/01/02 B1	QUALITY SYMBOLS ▽=0 ▽=0	GENERAL TOLERANCES (UNLESS SPECIFIED)		DIMENSION STYLE IN/MM	SCALE 10:1	DESIGN UNITS INCH	THIRD ANGLE PROJECTION	
		4 PLACES ± --- ± --- 3 PLACES ± --- ± --- 2 PLACES ± --- ± --- 1 PLACE ± --- ± ---	mm INCH	DRAWN BY KP	DATE 01/26/2006	TITLE SNAP MATE ADAPTER AND ALIGNMENT SLEEVE KIT		
		ANGULAR ±1/2°		CHECKED BY	DATE	APPROVED BY I. GUMIN		
		DRAFT WHERE APPLICABLE MUST REMAIN WITHIN DIMENSIONS		MATERIAL NO. SEE TABLE	DATE 01/26/2006	MOLEX INCORPORATED		SHEET NO. 1 OF 1
				SIZE B	THIS DRAWING CONTAINS INFORMATION THAT IS PROPRIETARY TO MOLEX INCORPORATED AND SHOULD NOT BE USED WITHOUT WRITTEN PERMISSION			