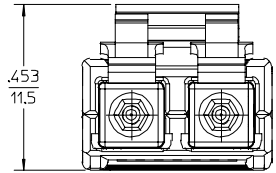
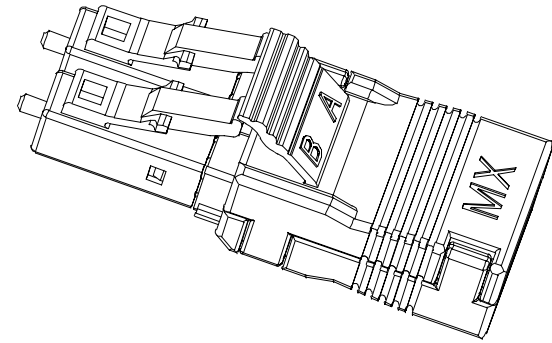
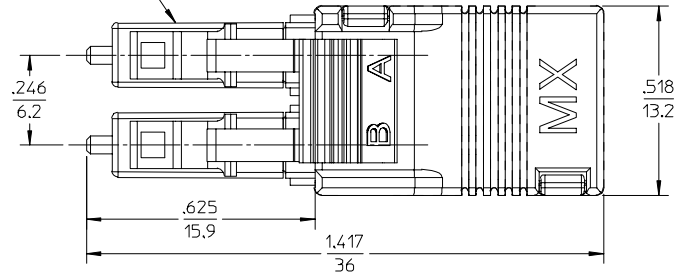
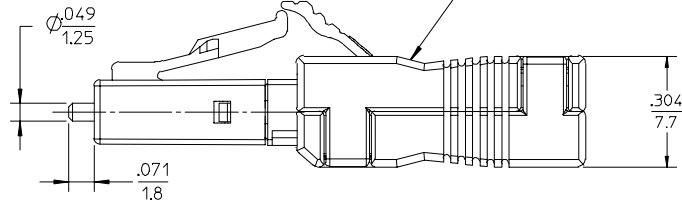


10 9 8 7 6 5 4 3 2 1

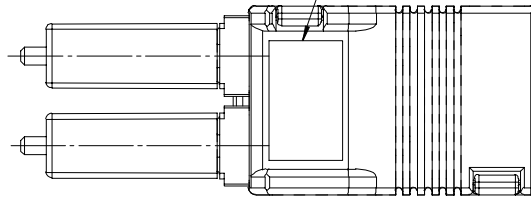
LC CONNECTOR HEAD
(2x)



LC LOOPBACK BODY,
BEIGE



LABEL
SEE NOTE 6



NOTES:

1. ALL DIMENSIONS ARE FOR REFERENCE ONLY.
2. DUST CAPS ARE NOT SHOWN, BUT INCLUDED.
3. FIBER TYPE - MM 62.5/125μm.
4. MAXIMUM INSERTION LOSS PER CONNECTOR (TWO MATED PAIRS):
AT 850nm: 2.0dB.
AT 1310nm: 2.0dB.
5. OPERATING TEMPERATURE RANGE: -40° TO +85°C.
6. LABEL IS PRINTED WITH '62.5um' AND '2dB' AND PLACED ON THE BACK SIDE OF THE CONNECTOR AS SHOWN.

ENTER DESCRIPTION	QUALITY SYMBOLS
EC NO: MF2006-0361	▽=0
DRWN:RPACIFCI 2005/12/01	▽=0
CHKD: 2005/12/01	
APPR:IGUMIN 2005/12/01	
REV	DESCRIPTION
A	

GENERAL TOLERANCES (UNLESS SPECIFIED)	
mm	INCH
4 PLACES ± ---	± ---
3 PLACES ± ---	± ---
2 PLACES ± ---	± ---
1 PLACE ± ---	± ---
ANGULAR ±1/2°	
DRAFT WHERE APPLICABLE MUST REMAIN WITHIN DIMENSIONS	

DIMENSION STYLE	
IN/MM	
DRAWN BY	DATE
RPACIFCI	2005/11/22
CHECKED BY	DATE
APPROVED BY	DATE
MATERIAL NO.	DOCUMENT NO.
1060520040	SD-106052-0040
SIZE	
B	

SCALE	DESIGN UNITS	THIRD ANGLE PROJECTION
2:1	METRIC	
TITLE		
LC LOOPBACK MM 62.5/125UM		
MOLEX INCORPORATED		
SHEET NO.		
1 OF 01		
THIS DRAWING CONTAINS INFORMATION THAT IS PROPRIETARY TO MOLEX INCORPORATED AND SHOULD NOT BE USED WITHOUT WRITTEN PERMISSION		

9 8 7 6 5 4 3 2 1