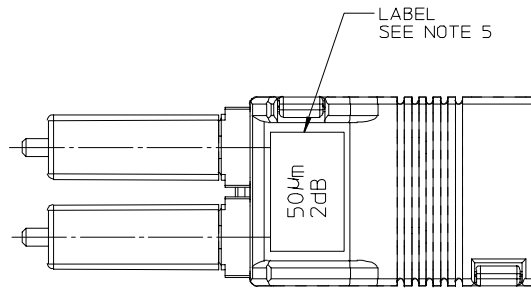
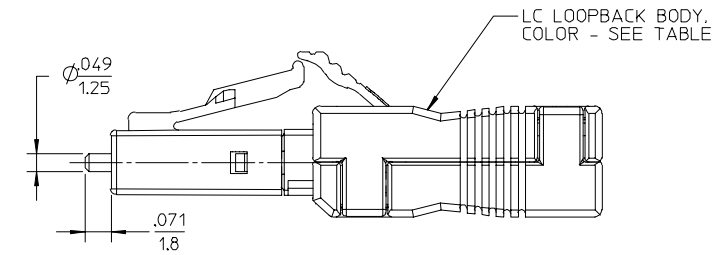
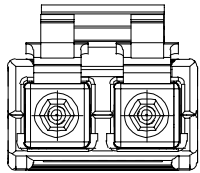
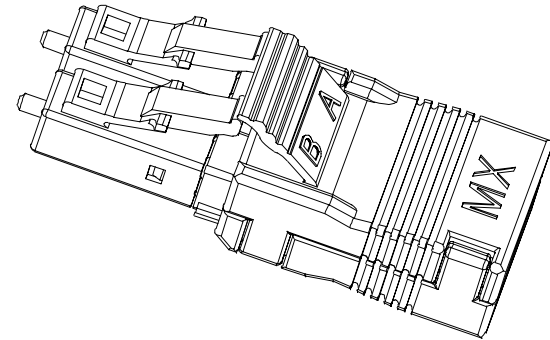
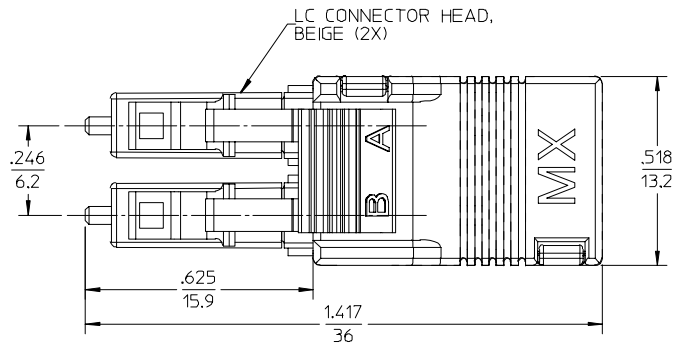


LOOPBACK CONN. P/N	LOOPBACK BODY COLOR
106052-0010	BEIGE
106052-0080	BLACK



NOTES:

1. ALL DIMENSIONS ARE FOR REFERENCE ONLY.
2. DUST CAPS ARE NOT SHOWN, BUT INCLUDED.
3. FIBER TYPE - MM 50/125µm.
4. MAXIMUM INSERTION LOSS PER CONNECTOR (TWO MATED PAIRS):
AT 850nm: 2.0dB.
AT 1310nm: 2.0dB.
5. LABEL IS PRINTED WITH "50µm" AND "2dB" AND PLACED ON THE BACK SIDE OF THE CONNECTOR AS SHOWN.

ENTER DESCRIPTION EC NO: MF2007-0793 DRWN: IGUMIN 2007/07/09 CHKD: IGUMIN 2007/07/09 APPR: IGUMIN 2007/07/09 REV B	QUALITY SYMBOLS ▽=0 ▽=0	GENERAL TOLERANCES (UNLESS SPECIFIED) <table border="1"> <tr> <td></td> <td>mm</td> <td>INCH</td> </tr> <tr> <td>4 PLACES</td> <td>± .005</td> <td>± .0004</td> </tr> <tr> <td>3 PLACES</td> <td>± .003</td> <td>± .0002</td> </tr> <tr> <td>2 PLACES</td> <td>± .002</td> <td>± .0001</td> </tr> <tr> <td>1 PLACE</td> <td>± .001</td> <td>± .00005</td> </tr> </table> ANGULAR ±1/2°		mm	INCH	4 PLACES	± .005	± .0004	3 PLACES	± .003	± .0002	2 PLACES	± .002	± .0001	1 PLACE	± .001	± .00005	DIMENSION STYLE IN/MM DRAWN BY: IGUMIN DATE: 2007/06/29 CHECKED BY: DATE:	SCALE 2:1 DESIGN UNITS METRIC THIRD ANGLE PROJECTION	TITLE LC LOOPBACK MM 50/125UM
		mm	INCH																	
	4 PLACES	± .005	± .0004																	
	3 PLACES	± .003	± .0002																	
2 PLACES	± .002	± .0001																		
1 PLACE	± .001	± .00005																		
APPROVED BY: IGUMIN DATE: 2007/06/29	MOLEX INCORPORATED																			
MATERIAL NO. SEE TABLE	DOCUMENT NO. SD-106052-0010	SHEET NO. 1 OF 1																		
DRAFT WHERE APPLICABLE MUST REMAIN WITHIN DIMENSIONS			THIS DRAWING CONTAINS INFORMATION THAT IS PROPRIETARY TO MOLEX INCORPORATED AND SHOULD NOT BE USED WITHOUT WRITTEN PERMISSION																	