

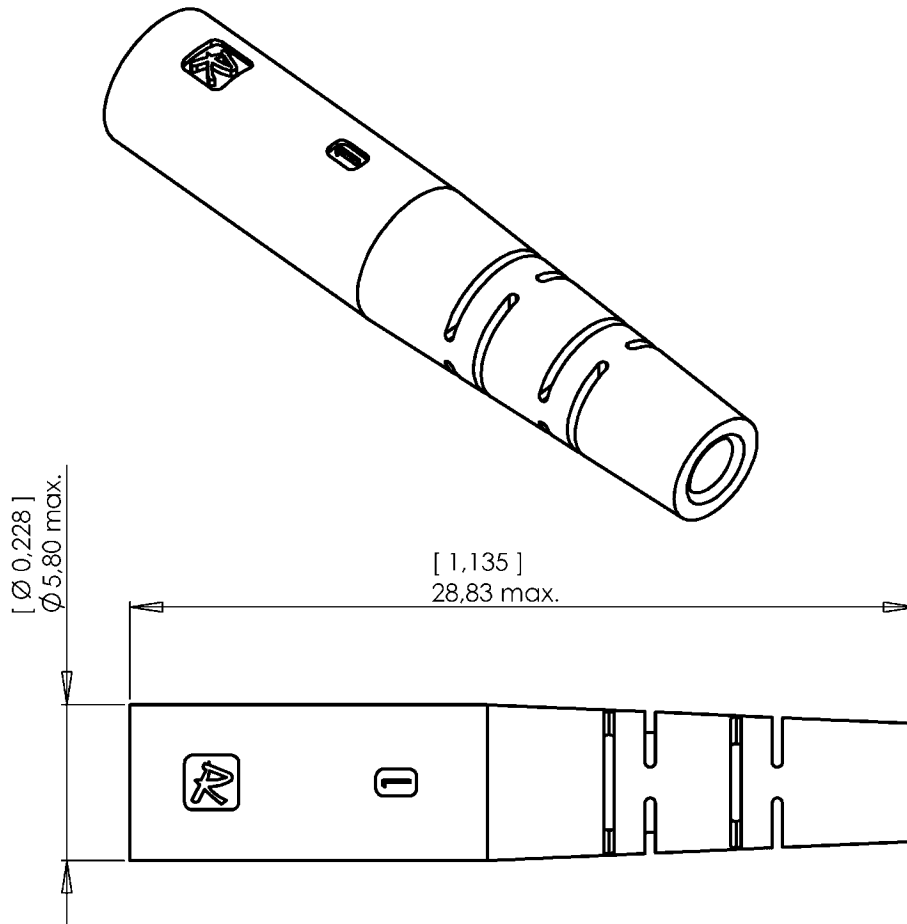
BOOT FOR Ø 2 TO 2,2 MM CABLE

Packaging
100

Series
LC

Issue
10 18 02

Page
1 / 1



Original dimensions in mm [inch]

GENERAL

- Compatible with LC connectors
- Suitable for use with cables sizes Ø 2 mm to Ø 2,2 mm
- Compatible with Bellcore GR 326 specification (V0, LOI 28 % mini.)
- Color : **Green**