

# Steward

Advanced Ferrite Materials, EMI Suppression, and Inductive Products

Home • Ferrite Product Lines • New Products • Technical • General • Contact • Steward Sales

## HZ0603B112R-00

STEWARD PART NUMBERING SYSTEM						
HF	1206	J	150	R	-	00
PRODUCT SERIES CODE	PART SIZE CODE	RATED CURRENT CODE	IMPEDANCE VALUE CODE	PACKAGING CODE		ADDITIONAL DESCRIPTION

Ambient Operating Temperature Range : -55°C to + 125°C

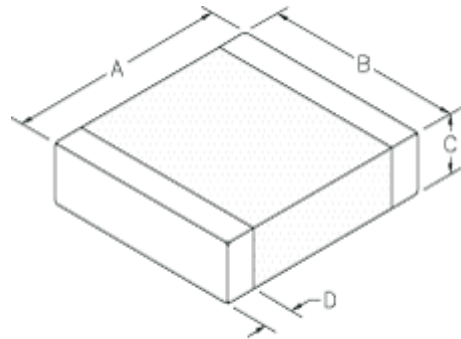


Figure #1

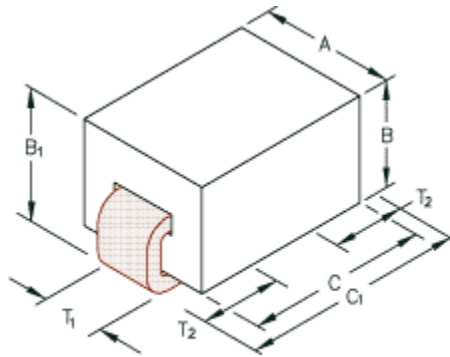


FIGURE #2

### Drawing Figure #

Figure Number
1

### Electrical Characteristics

NET Z	DCR	Rated Current	NET Z @ 300 MHz	NET Z @ 300 MHz	NET @ 300 MHz
-------	-----	---------------	-----------------	-----------------	---------------

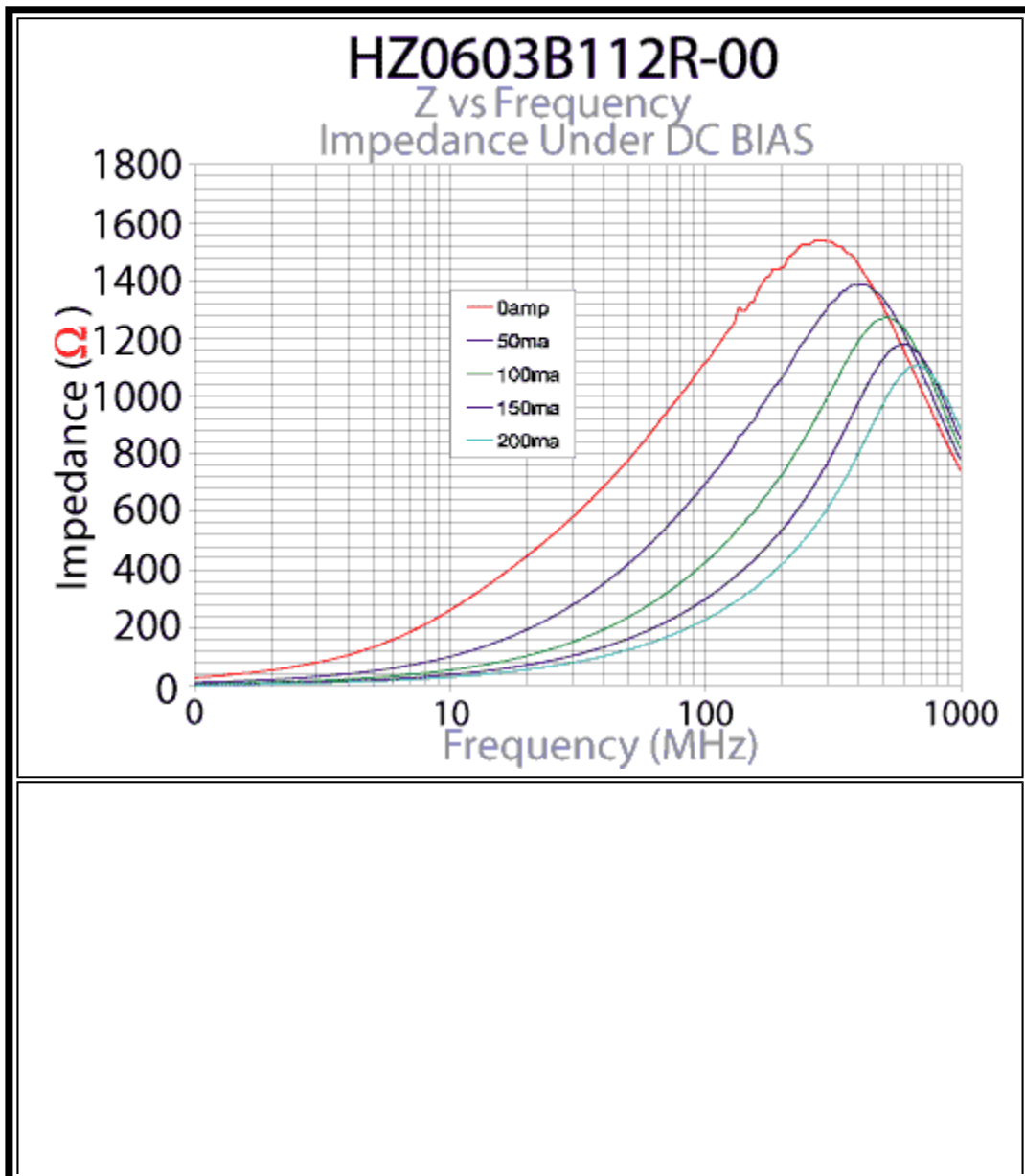
@ 100 MHz	Max	mA	min	nom	max
1100	0.80	200	0	0	0

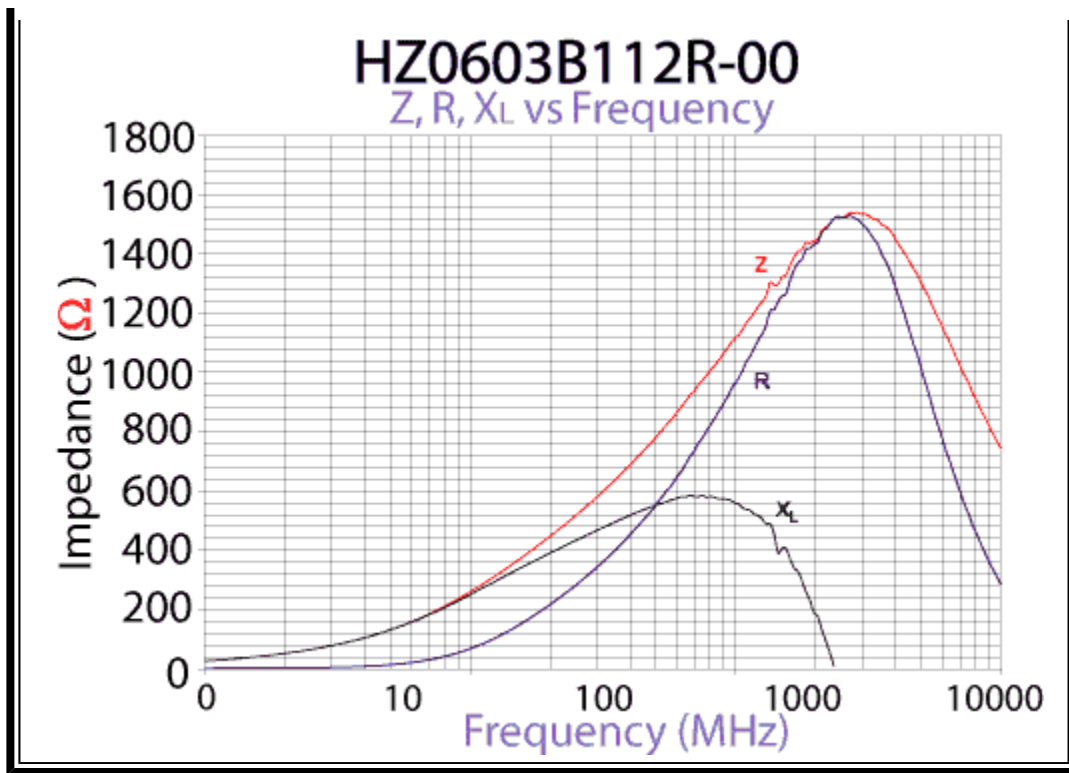
**Physical Dimensions**

A	B	B1	C	C1	D	A	B	B1	C	C1	D
mm	mm	mm	mm	mm	mm	in	in	in	in	in	in
1.60	0.80	0	0.80	0	0.36	0.063	0.031	0	0.031	0	0.014

**Wire Dimensions**

T1 mm	T2 mm	T1 in	T2 in
0	0	0	0





Specifications, which provide more details for the correct use of the described products, are available upon request. All specifications are subject to change without notice. For more information on any of the products listed above, please contact Steward customer service department at (800) 634-2673.

[americas@steward.com](mailto:americas@steward.com)[mexico@steward.com](mailto:mexico@steward.com)[europa@steward.com](mailto:europa@steward.com)[asia@steward.com](mailto:asia@steward.com)

Copyright© 2004 Steward, Inc.

Last Updated: 2/19/2004