



Axial Lead Beads - Power Filtering

Steward's two-terminal axial lead ferrite beads provide economical filtering for differential mode EMI suppression applications. Constructed using a continuous 22 gauge conductor, these devices are able to withstand high peak currents that can destroy other surface mount devices.

STEWARD PART NUMBERING SYSTEM

28	J	0138	-	1	1	R
MATERIAL TYPE	PRODUCT CODE	PART SIZE CODE	SELECTED DIMENSION CODE	ADDITIONAL DESCRIPTION	PACKAGING CODE	

Ambient Operating Temperature Range: -55°C to +125°C

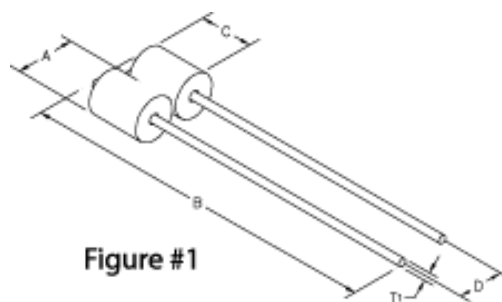


Figure #1

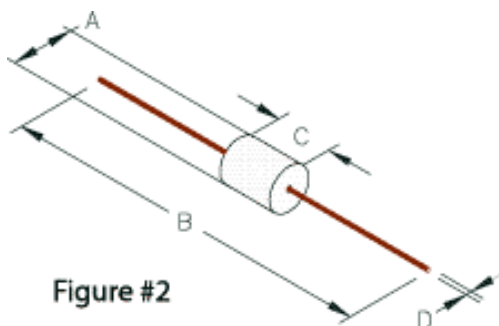


Figure #2

View Chart Data In:

 Millimeters Only

 Inches Only

 Both (Millimeters and Inches)

SORT: Click on the [Z](#) ↓ (ascending) or [A](#) ↓ (descending) in any chart heading to sort entire chart by data in that selected column.

IMPEDANCE CURVES: Click on the Part Number links below to view impedance curves.

COMPARE: For side-by-side comparison of data for a limited selection of parts, click on boxes under the "Compare" heading. Then click the "Compare Selected Parts" button at the bottom of this chart.

Part Number	Compare Selected Parts	Figure Number	NET Z @ 10 MHz nom	NET Z @ 25 MHz nom	NET Z @ 100 MHz nom	DCR Max	Rated Current mA	A mm	B mm	C mm	D mm	T1 mm
28J0138-11R		1	-	-	143	0.01	5000	3.51	25.4	4.45	3.81	0.64
28L0138-10R		2	-	45	75	0.01	5000	3.51	59.00	4.45	0.64	-
28L0138-20R		2	-	55	97	0.01	5000	3.51	59.00	5.99	0.64	-
28L0138-40R		2	-	99	135	0.01	5000	3.51	59.00	8.89	0.64	-
28L0138-50R		2	-	92	153	0.01	5000	3.51	59.00	9.53	0.64	-
28L0138-60R		2	-	-	180	0.01	5000	3.51	58.93	11.43	0.64	-
28L0138-70R		2	-	123	220	0.01	5000	3.51	59.00	13.97	0.64	-
28L0138-80R		2	-	48	86	0.01	5000	3.51	59.00	5.23	0.64	-
28L0138-90R		2	-	-	110	0.01	10000	3.51	59.0	6.68	0.64	-
28L0138-A0R		2	-	71	127	0.01	5000	3.51	59.00	7.62	0.64	-

Custom Parts are also available

[Request PDF's of part prints](#)

Equivalent Circuit

Specifications, which provide more details for the correct use of the described products, are available upon request. All specifications are subject to change without notice. For more technical information on any of the products listed above, please contact the Steward USA customer service department at 1 (800) 634-2673 or contact one of the Steward facilities below.

americas@steward.com

mexico@steward.com

europa@steward.com

asia@steward.com

china@steward.com

Copyright © 2005 Steward, Inc.

Last Updated: 3/23/2005