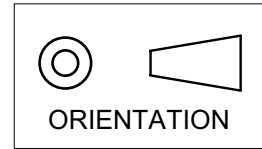


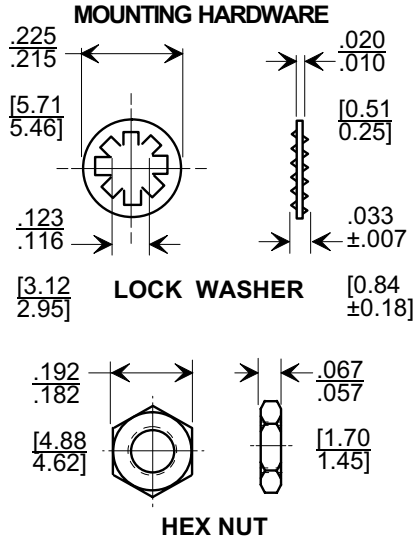
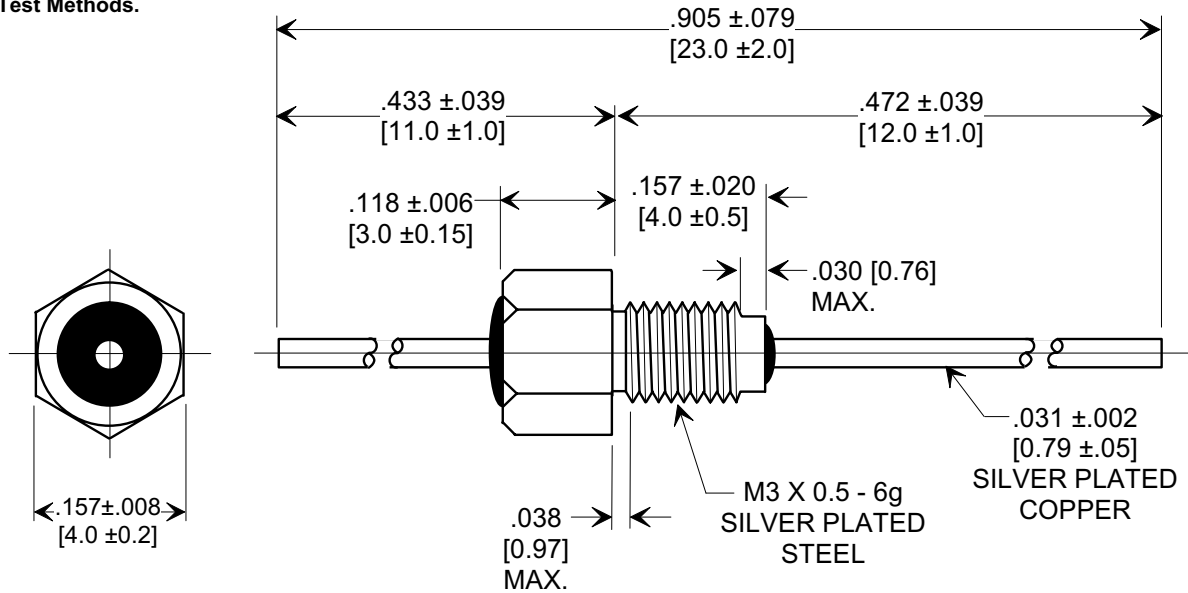
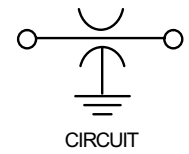
MARKETING SALES DRAWING

DIMENSIONS IN INCHES - DO NOT SCALE THIS DRAWING
DIMENSIONS IN METRIC []

This drawing is the property of Tusonix, Inc., and may not be used, reproduced, published or disclosed to others without expressed authorization by Tusonix Inc.



Electrical Testing
per Tusonix standard
test plans and Mil-Std-202
Test Methods.



NOTES:

1. OPERATING TEMP. RANGE: -55°C TO +125°C.
2. SUPPLIED WITH SILVER PLATED HEX NUT AND LOCK WASHER.
3. MAX. RECOMMENDED MOUNTING TORQUE : 0.23 Nm.
4. MAX. RECOMMENDED SOLDERING TEMPERATURE : 260° C. SEE INSTALLATION RECOMMENDATIONS.
5. TUSONIX TRADEMARK AND PART VARIATION NUMBER STAMPED ON HEX FLATS. STANDARD PART: BLACK INK. RoHS PART: GREEN INK.
6. TUSONIX STANDARD PART NUMBER: 4400-076. TUSONIX RoHS COMPLIANT PART NUMBER: 4400-076 LF. CUSTOMER MUST SPECIFY STANDARD OR RoHS PART NUMBER WHEN ORDERING.

CAP.(pf)	TOLERANCE	DC WORKING VOLTAGE		DC CURRENT (AMPS)	DWV (VDC)	MIN. NO LOAD INSERTION LOSS (db) @ 25°C PER MIL-STD-220				
		85°C	125 °C			1 MHz	10 MHz	100 MHz	1 GHz	10 GHz
100	GMV	300	200	10	500	----	----	3	20	28

X-2015 Rev-0 REVISION RECORD Original Release C.O. 19990426-3-02 ADDED HEX NUT (2) PLCS. S.M. 01-07-00 20000104-1-05 ADDED NOTE 6 & REVISED NOTE 5. S.M. 11-02-06 20061031-3-02	0	Title BUSHING STYLE EMI FILTER Drawn S.M. 04-30-99 Scale 5 X Approved J.Mc. 04-30-99 A
	1	
	2	
	3	
--TOLERANCES-- Unless Otherwise Specified DECIMAL ± NOTED ANGLES ±		TUSONIX TUCSON, ARIZONA 4400-076