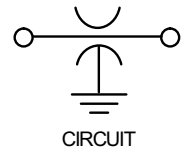
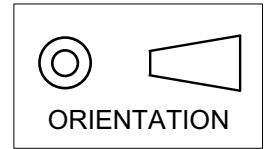
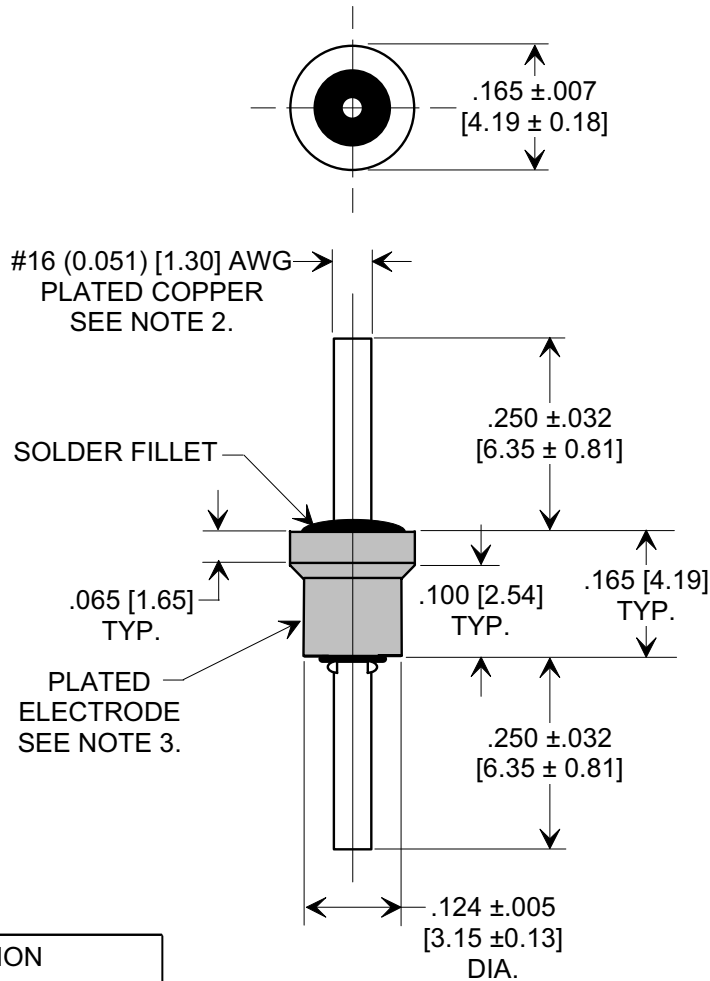


This drawing is the property of Tusonix, Inc., and may not be used, reproduced, published or disclosed to others without expressed authorization by Tusonix Inc.

**MARKETING SALES DRAWING**  
**DIMENSIONS IN INCHES - DO NOT SCALE THIS DRAWING**  
**DIMENSIONS IN METRIC - [ ]**



**Electrical Testing**  
**per Tusonix standard**  
**test plans and Mil-Std-202**  
**Test Methods.**



#16 (0.051) [1.30] AWG  
 PLATED COPPER  
 SEE NOTE 2.

SOLDER FILLET

.065 [1.65]  
 TYP.

PLATED  
 ELECTRODE  
 SEE NOTE 3.

.250 ± .032  
 [6.35 ± 0.81]

.100 [2.54]  
 TYP.

.165 [4.19]  
 TYP.

.250 ± .032  
 [6.35 ± 0.81]

.124 ± .005  
 [3.15 ± 0.13]  
 DIA.

**OPERATING INFORMATION**

STYLE NO.	2461-001
VALUE	1000 pF
VALUE TOL.	+100% / -0%
TEMP. COEF.	X7V
RATING	100VDC@+125°C
OPERATING RANGE	-55°C,+125°C
DWV	600
I.R. MIN @ 100VDC	10 GΩ
TO TUSONIX SPEC. UNLESS STATED OTHERWISE.	

**NOTES:**

1. TUSONIX STANDARD PART NUMBER: 2461-001-X7V0-102P.  
 TUSONIX RoHS COMPLIANT PART NUMBER:  
 2461-001-X7V0-102P LF.  
 CUSTOMER MUST SPECIFY STANDARD OR RoHS PART NUMBER  
 WHEN ORDERING.
2. LEAD FINISH: STANDARD PART #: 60/40 SOLDER PLATED. RoHS  
 PART #: SILVER PLATED.
3. ELECTRODE FINISH: STANDARD PART #: 60/40 SOLDER PLATED.  
 RoHS PART #: MATTE TIN PLATED.
4. PART MARKING: STANDARD PART: NO MARKING. RoHS PART:  
 MARKING ON PACKAGING ONLY.

X-2015 Rev-0 REVISION RECORD Original Release C.O. ECO-659	<b>A</b>	<b>TUSONIX</b> TUCSON, ARIZONA	--TOLERANCES-- Unless Otherwise Specified	Title <b>SHOULDER FEED-THRU</b>	
			DECIMAL ± .015 [38]	Drawn L.E. 04-14-09	Scale 4 X
			ANGLES ±	Approved R.L. 04-14-09	
				<b>A</b>	<b>2461-001-X7V0-102P</b>