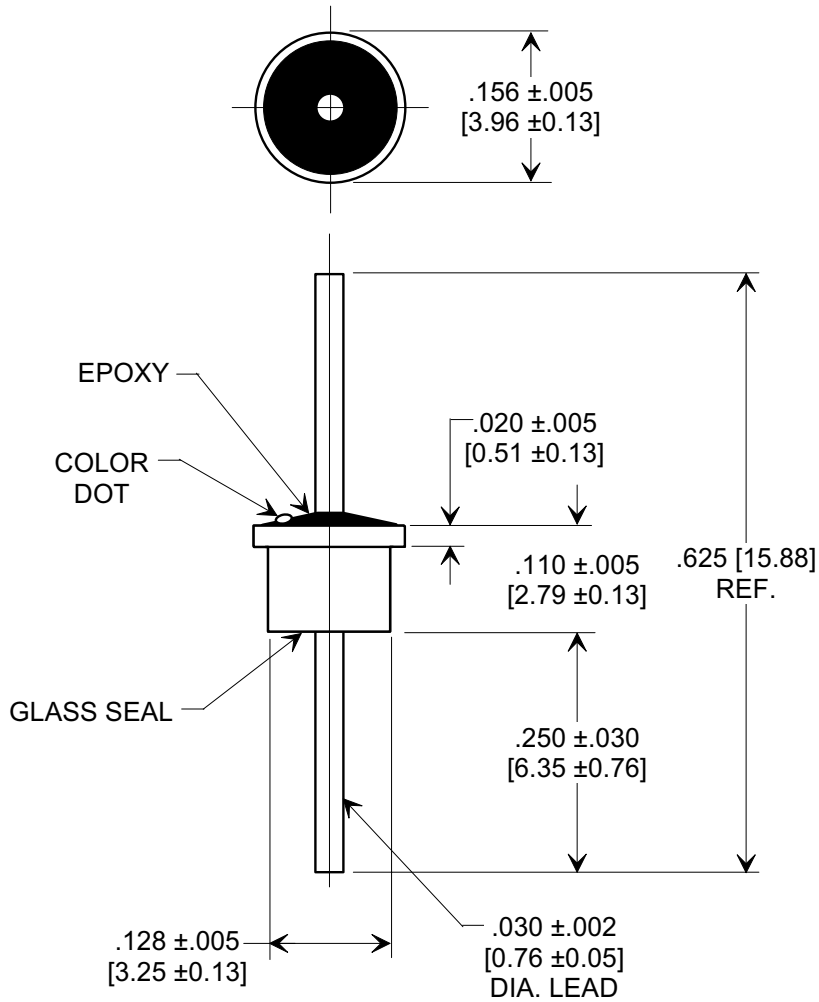


MARKETING SALES DRAWING
 DIMENSIONS IN INCHES - DO NOT SCALE THIS DRAWING
 DIMENSIONS IN METRIC - []

Electrical Testing
 per Tusonix standard
 test plans and Mil-Std-202
 Test Methods.



NOTES:

- Operating temperature range: -55°C to +125°C.
- Gold plated case and lead.
- Epoxy sealed on opposite end from glass seal.
- Max. recommended soldering temperature: 260°C.
See installation recommendations.
- Recommended mounting hole: .135 dia.
- Solder preform available for mounting.
- Tusonix Standard part number: 4300-006.
Tusonix RoHS compliant part number: 4300-006 LF.
Customer must specify Standard or RoHS part number when ordering.
- RoHS compliant part marked with additional dark green dot for identification.

Cx (pF)	TOL.	DC WORKING VOLTAGE		I.R. MIN. @ 100 (VDC.)	DWV (VDC)	DC CURRENT (AMPS)	MIN. NO LOAD INSERTION LOSS (dB) @ 25° C PER MIL-STD-220					COLOR CODE
		85°C	125°C				1 MHz	10 MHz	100 MHz	1 GHz	10 GHz	
15,000	GMV	70	50	10 G	150	5	7	20	35	55	60	ORANGE

X-2015 Rev-0

REVISION RECORD	Original Release	0	REDRAWN & REVISED ADDED 008, 009 & 010. E.C. 05-30-90 5261 VARS 005, 006, 007 & 1MHz COLUMN ADDED. L.I.E. 11-07-90 5591 VARS 080 WAS 010 & VAR 013 ADDED. L.I.E. 06-10-91 5966 RDN TO COMP FMP. STYLE DWG SPLIT FOR EACH VAR. S.M. 10-02-02 20021001-7-05 ADDED NOTES 7 & 8. S.M. 05-23-05 20050511-2-12	--TOLERANCES-- Unless Otherwise Specified		Title SOLDER MOUNT EMI FILTER	
		10		DECIMAL ± NOTED		Drawn S.M. 10-02-02 Scale 5 X	
		11		ANGLES ±		Approved T.C. 10-02-02	
		12		TUSONIX TUCSON, ARIZONA		A 4300-006	