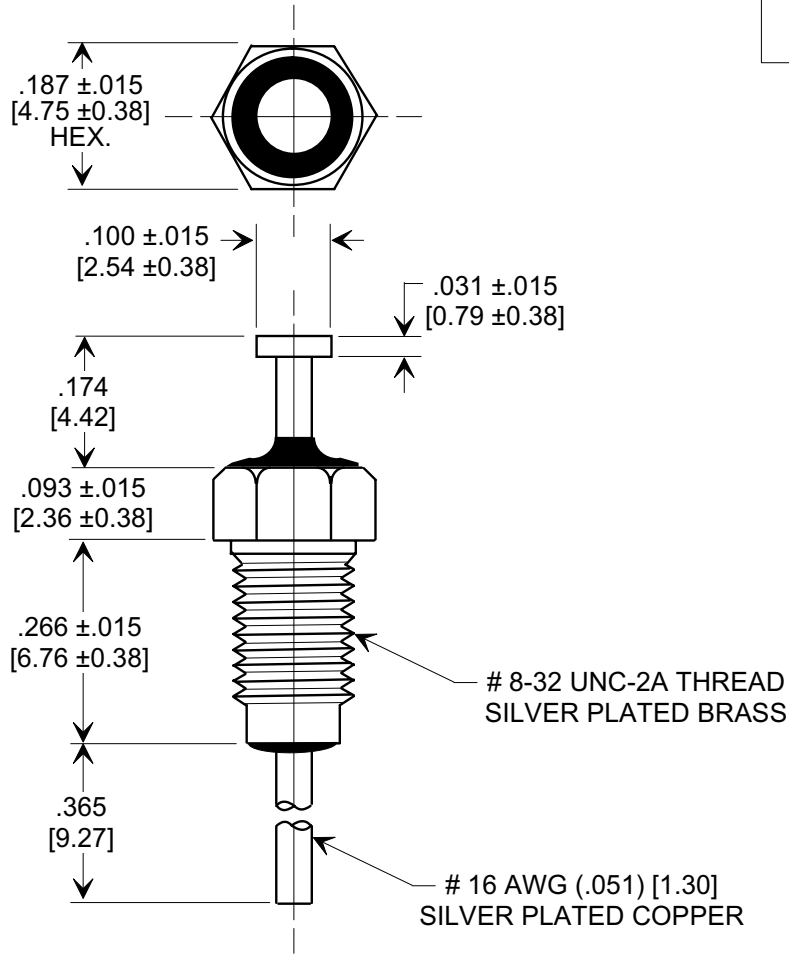
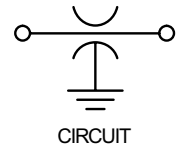
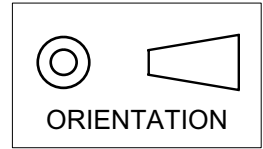


Electrical Testing
per Tusonix standard
test plans and Mil-Std-202
Test Methods.

MARKETING SALES DRAWING

DIMENSIONS IN INCHES - DO NOT SCALE THIS DRAWING
DIMENSIONS IN METRIC - []



NOTES:

- SUPPLIED WITH SILVER PLATED HEX NUT AND INTERNAL TOOTH LOCK WASHER.
- MOUNTING TORQUE NOT TO EXCEED 5 lb - in. MAX. [.565 N-m]
- TUSONIX STANDARD PART NUMBER: 2425-018-X7R0-102P. TUSONIX RoHS COMPLIANT PART NUMBER: 2425-018-X7R0-102P LF. CUSTOMER MUST SPECIFY STANDARD OR RoHS PART NUMBER WHEN ORDERING.
- PART MARKING: STANDARD: BLACK INK FOR TRADEMARK AND CAP. CODE. RoHS PART: GREEN FOR TRADEMARK AND CAP. CODE.

SPECIFICATIONS

| | |
|------------------------|-------------------------------------|
| Tusonix Style: | 2425-018 |
| Capacitance Value: | 1000 pF |
| Capacitance Tolerance: | -0 % +100% |
| Temp. Characteristic: | X7R |
| Rating: | 200 VDC @ + 85°C / 100 VDC @ +125°C |
| Current (A): | 20 |
| Operating Range: | -55°C TO +125°C |
| Insulation Resistance: | 10,000 megohms (min.) @ +25°C |
| DWV @ 2 Sec. Min: | 600 VDC |

| | | |
|------------------------|----------|---|
| REVISION RECORD | 0 | Original Release C.O. 20040813-3-01 ADDED NOTES 3 & 4. S.M. 11-01-05 |
| | 1 | 20051031-1-08 CAPACITANCE TOLERANCE REVISED -0% +100% WAS ±20% L.E. 12-14-05 |
| | 2 | 20051214-1-01 |
| | | |

| |
|--|
| --TOLERANCES-- Unless Otherwise Specified |
| DECIMAL ± .031 [0.79] |
| ANGLES ± |
| TUSONIX TUCSON, ARIZONA |

| | |
|------------------------------------|----------------------|
| MINIATURE BUSHING FEED-THRU | |
| Title | S.M. 08-13-04 |
| Drawn | B.Mc. 08-13-04 |
| Approved | A 2425-018-X7R0-102P |