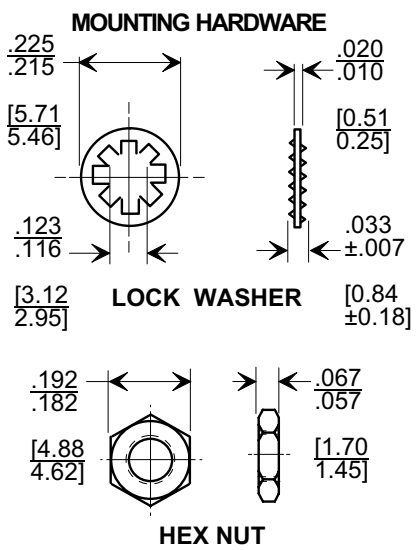
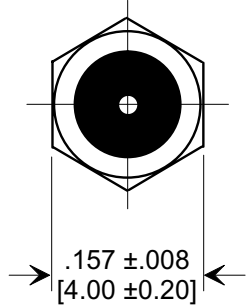
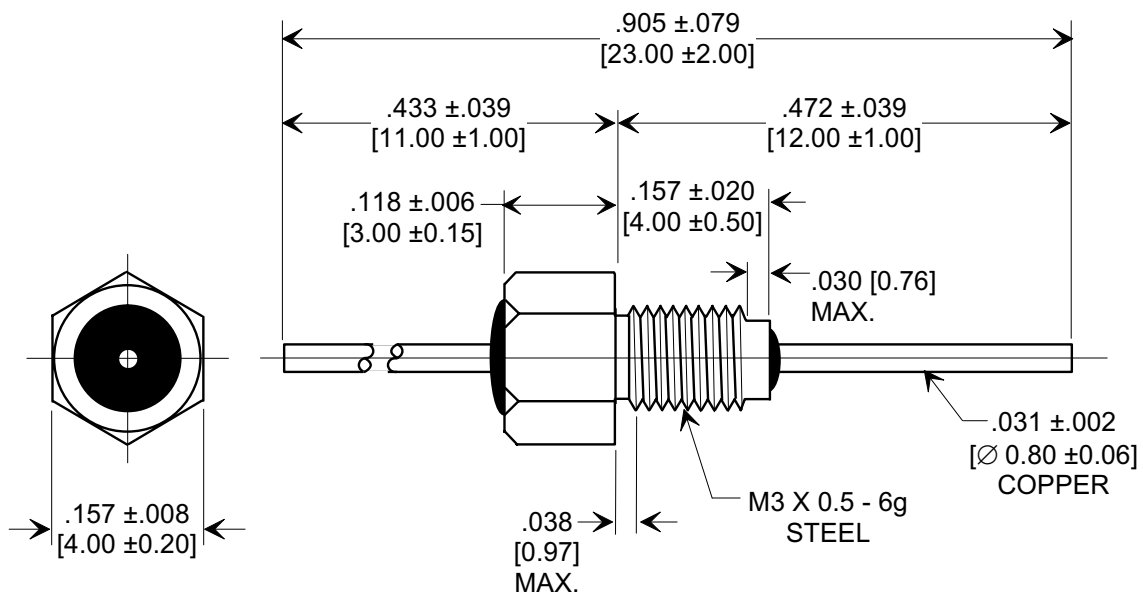
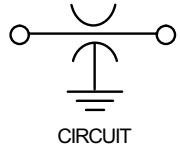
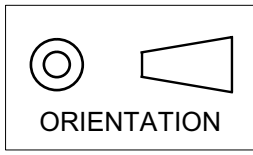


MARKETING SALES DRAWING
DIMENSIONS IN INCHES - DO NOT SCALE THIS DRAWING
DIMENSIONS IN METRIC []

Electrical Testing
per Tusonix standard
test plans and Mil-Std-202
Test Methods.



- NOTES:**
1. TUSONIX STANDARD PART NUMBER: 4400-096.
TUSONIX RoHS COMPLIANT PART NUMBER: 4400-096 LF.
CUSTOMER MUST SPECIFY STANDARD OR RoHS PART NUMBER WHEN ORDERING.
 2. MATERIAL: BUSHING; SILVER PLATED. LEAD; SILVER PLATED.
 3. PART MARKING: TRADEMARK AND VARIATION NUMBER ON HEX FLATS. STANDARD PART: BLACK INK. RoHS PART: GREEN INK.
 4. OPERATING TEMP. RANGE: -55°C TO +125°C.
 5. MAX. RECOMMENDED SOLDERING TEMPERATURE : 260° C.
 6. SUPPLIED WITH SILVER PLATED INTERNAL TOOTH LOCK WASHER.
 7. MAX. RECOMMENDED MOUNTING TORQUE : 2.0 Lb. in. [.226 Nm.]

CAP.(pf)	TOLERANCE	DC WORKING VOLTAGE		DC CURRENT (AMPS)	I.R. MIN. @ 100 (VDC)	DWV (VDC)	MIN. NO LOAD INSERTION LOSS (db) @ 25°C PER MIL-STD-220				
		85°C	125 °C				1 MHz	10 MHz	100 MHz	1 GHz	10 GHz
470	GMV	300	200	10	10 G Ω	500	----	----	15	35	40

REVISION RECORD Original Release C.O. 20000104-1-06 ORIENTATION SYMBOL ADDED DWV(VDC) 500 DELETED L.E. 04-14-00 20000410-2-05 ADDED IR & DWV, REVISED & ADDED NOTES. S.M. 12-01-05 20051128-1-03	0	TUSONIX TUCSON, ARIZONA	--TOLERANCES-- Unless Otherwise Specified	Title BUSHING STYLE EMI FILTER	
	DECIMAL ± NOTED		Drawn S.M. 01-07-99 Scale 5 X		
	ANGLES ±		Approved J.Mc. 01-07-00		
	A		4400-096		

X-2015 Rev-0