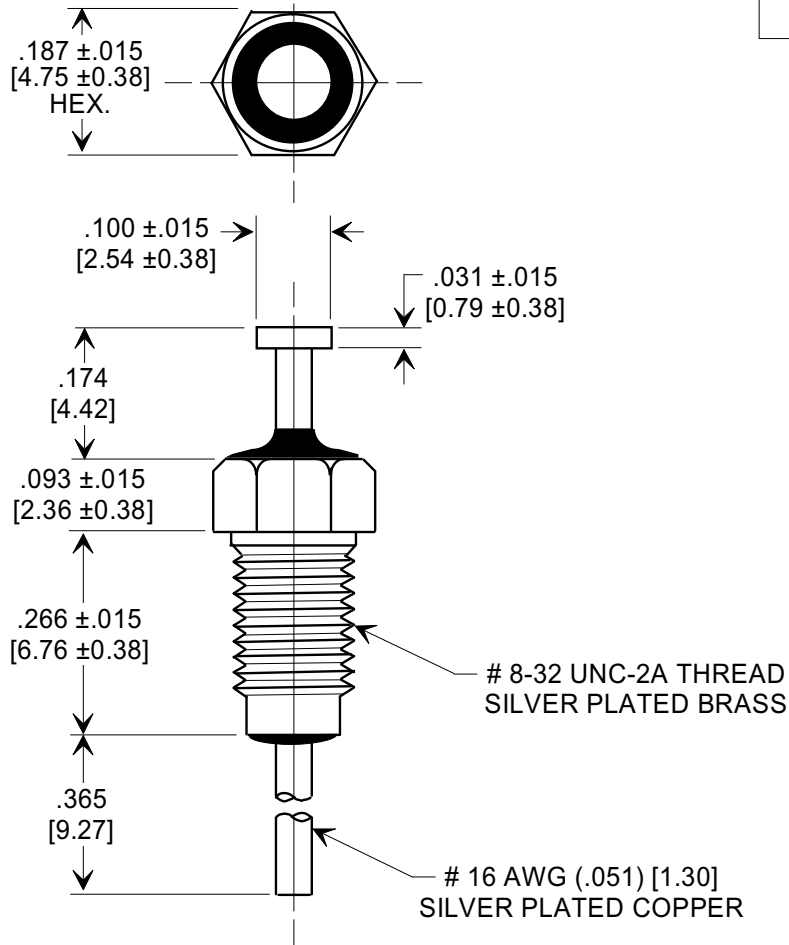
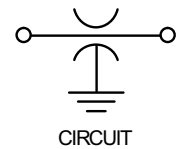
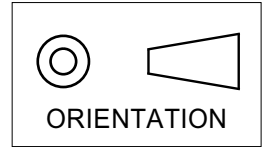


This drawing is the property of Tusonix, Inc., and may not be used, reproduced, published or disclosed to others without written authorization by Tusonix Inc.

**Electrical Testing
per Tusonix standard
test plans and Mil-Std-202
Test Methods.**

MARKETING SALES DRAWING
DIMENSIONS IN INCHES - DO NOT SCALE THIS DRAWING
DIMENSIONS IN METRIC - []



NOTES:

- SUPPLIED WITH SILVER PLATED HEX NUT AND INTERNAL TOOTH LOCK WASHER.
- MOUNTING TORQUE NOT TO EXCEED 5 lb - in. MAX. [.565 N-m]
- TUSONIX STANDARD PART
NUMBER: 2425-018-X7R0-470Z.
TUSONIX RoHS COMPLIANT PART
NUMBER: 2425-018-X7R0-470Z LF.
CUSTOMER MUST SPECIFY STANDARD OR RoHS PART NUMBER WHEN ORDERING.
- PART MARKING: STANDARD: BLACK INK FOR TRADEMARK AND CAP. CODE.
RoHS PART: GREEN FOR TRADEMARK AND CAP. CODE.

SPECIFICATIONS

Tusonix Style:	2425-018
Capacitance Value:	47 pF
Capacitance Tolerance:	+80, -20%
Temp. Characteristic:	X7R
Rating:	100 VDC @ +125°C
Current (A):	20
Operating Range:	-55°C TO +125°C
Insulation Resistance:	10,000 megohms (min.) @ +25°C
DWV @ 2 Sec. Min:	600 VDC

REVISION RECORD Original Release ECO-2600	A	--TOLERANCES-- Unless Otherwise Specified	Title MINIATURE BUSHING FEED-THRU
		DECIMAL $\pm .031$ [0.79]	Drawn L.E. 01-17-12
		ANGLES \pm	Approved R.L. 01-17-12
		TUSONIX TUCSON, ARIZONA	A 2425-018-X7R0-470Z