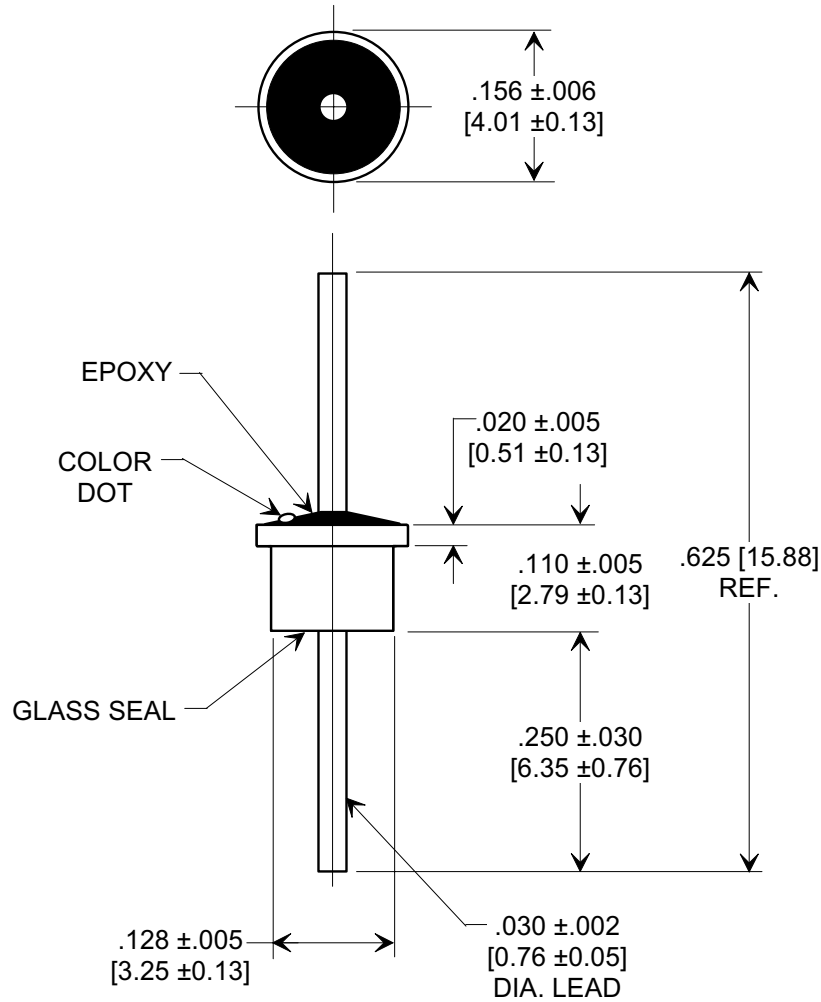
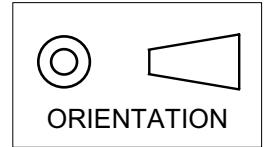


MARKETING SALES DRAWING
 DIMENSIONS IN INCHES - DO NOT SCALE THIS DRAWING
 DIMENSIONS IN METRIC - []

Electrical Testing
 per Tusonix standard
 test plans and Mil-Std-202
 Test Methods.



NOTES:

- Operating temperature range: -55°C to +125°C.
- Gold plated case and lead.
- Epoxy sealed on opposite end from glass seal.
- Max. recommended soldering temperature: 260°C.
See installation recommendations.
- Recommended mounting hole: .135 dia.
- Solder preform available for mounting.
- Tusonix Standard part number: 4300-009.
Tusonix RoHS compliant part number: 4300-009 LF.
Customer must specify Standard or RoHS part number when ordering.
- RoHS compliant part marked with additional dark green dot for identification.

Cx (pF)	TOL.	DC WORKING VOLTAGE		DC CURRENT (AMPS)	DWV (VDC)	IR MIN. @100 VDC	MIN. NO LOAD INSERTION LOSS (dB) @ 25° C PER MIL-STD-220					COLOR CODE
		85°C	125°C				1 MHz	10 MHz	100 MHz	1GHz	10 GHz	
25	GMV	300	200	5	500	10 G	---	---	---	10	25	BLUE

X-2015 Rev-0 REVISION RECORD Original Release C.O. 20020524-2-01 ADDED NOTES 7 & 8. S.M. 05-23-05 20020524-2-01	0	--TOLERANCES-- Unless Otherwise Specified DECIMAL ± ANGLES ±	Title	
	1		SOLDER MOUNT EMI FILTER	
	Drawn S.M. 05-28-02		Scale 5 X	
	Approved T.C. 05-28-02		TUSONIX TUCSON, ARIZONA	A