



EMC filters

1-line filter Feedthrough Filter in Solderless Technology

Series/Type: B85321A2363G300 Feedthrough Filter
Date: July 2007

Identification/Classification 1: (header 1 + top left header bar)	1-line filter
Identification/Classification 2: (header 2 + bottom left header bar)	Feedthrough Filter
Ordering code: (top right header bar)	B85321A2363G300
Series/Type: (top right header bar)	Ø 20 , 30A
Preliminary data (optional): (if necessary)	
Department:	IN FI PD
Date:	2007-07-12

© EPCOS AG 2006. Reproduction, publication and dissemination of this document, enclosures hereto and the information contained therein without EPCOS' prior express consent is prohibited.

Feedthrough Filter: Metallized (selfhealing) film capacitor. High insertion losses up to the GHZ range.

Rated voltage 250 V AC (50/60Hz), 600 V DC

Rated current 30 A

Construction

- 1-line filters, Building-block system
- Metal case with synthetic resin terminals (UL 94 V-0)
- MKP/MKT technology (dry, self-healing), Dielectric: polypropylene/polyester metallised
- For central screw fixing

Features

- Excellent price/performance ratio
- Ultra-compact design
- High attenuation
- Easy to install
- High contact reliability through central screw fixing
- RoHS conform

Applications

- Shielded rooms
- Power supplies
- Telephone exchanges, base stations
- Electrical machines and systems

Terminals

- Threaded studs / axial leads

EPCOS internal code for production location (not marked on component)

- Production Szombathely, Hungary : V1
- Production Hongqi, China : Z99

Marking

Marking on component:




Manufacturer's logo, ordering code, rated voltage,
rated current, test voltage, climatic category, date code (MM.YY), rated capacitance

Typical circuit diagram:

Technical data and measuring conditions

Rated capacitance	2 x 0,018 μ F, \pm 20% ,
Rated voltage V_R	250 V AC, 50/60 Hz, 600 V DC
Rated current I_R	30 A, Referred to 40 °C ambient temperature
Test voltage V_{test}	2700 V DC, 2s , (lines/case)
Climatic category (IEC 60068-1)	40/085/56 (-40 °C/+85 °C/ 56 days damp heat test)
Approx. weight	65g
Terminals	M 5 / Ø 2,36
Fixing	M 12x0,75
Approvals comply with	EN 132400 / EN133200

Characteristics and ordering codes

V_R AC	I_R	U_R	U_R	U_{test}	Approx. weight	Ordering code	Approvals
V	A	VAC	VDC	VDC/2s	kg		  
250	30	250	600	2700	0.065	B85321A2363G300	X

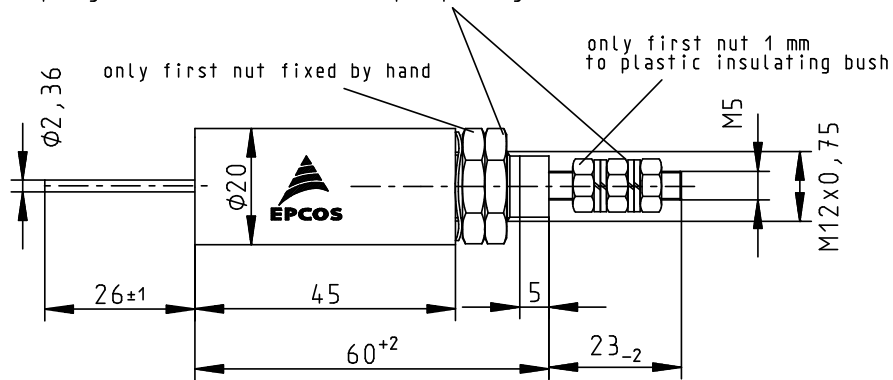
X = approval granted

Dimensional drawings

B85321A2363G300

Auslieferungszustand pro Verpackungseinheit = 60 Stück
 Extradition situation per packing unit = 60 pcs

120 nuts M5 D934 A50 M37 per packing unit — [60 nuts fixed at components]
 240 spring washer D127 B50 R60 per packing unit
 60 nuts C62157-A60-C10 per packing unit — [60 nuts fixed at components]
 60 spring washer C60294-B2802-C14 per packing unit



all other parts included separately in packing unit

MATERIAL:

Metal case, nickel plated. UL-listed material for resin and plastic insulting bush.

Terminals, nuts and washers are nickel- or tin plated.

Mounting instructions:

In case of using a screw fixing type the connecting line must be attached by fixing it between two countered nuts in order to avoid exposing the component to torque loads (use two spanners)

Insertion loss (typical values at $Z = 50 \Omega$)

f	10 KHz	100 KHz	1 MHz	10 MHz	100 MHz	1 GHz
dB		1	10	62	>100	>100



Cautions and warnings

Please note the advices in our data book "EMC filters" (latest edition); attention should be paid to the chapters "Important notes" and "General safety notes".

- It should be ensured that only qualified persons (electricity specialists) are engaged on work such as planning, assembly, installation, operation, repair and maintenance. They must be provided with the corresponding documentation.
- Danger of electric shock. EMC filters contain components that store an electric charge. Dangerous voltages can continue to exist at the filter terminals for longer than five minutes even after the power has been switched off.
- The protective earth connections should be the first to be made when the EMC filter is installed and the last to be disconnected. Depending on the magnitude of the leakage currents, the particular specifications for making the protective-earth connection must be observed.
- Impermissible overloading of the EMC filter, such as with circuits able to cause resonances, impermissible voltages at higher frequencies etc. can lead to destruction of the filter housing.
- EMC filters must be protected in the application against impermissible exceeding of the rated currents by overcurrent protective.
- In case of leakage currents $> 3.5 \text{ mA}$ you shall mount the PE conductor stationary with the required cross section before beginning of operation and save it against disconnecting. For leakage currents $I_L < 10 \text{ mA}$ the PE conductor must have a KU value of 4.5; for leakage currents $I_L > 10 \text{ mA}$ the PE conductor must have a KU value of 6.¹

¹ The KU value (symbol KU) is a classification parameter of safety-referred failure types designed to ensure protection against hazardous body currents and excessive heating.

KU = 6 with respect to interruptions is achieved for fixed-connection lines $\geq 10 \text{ mm}^2$ where the type of connection and line layout corresponds to the requirements for PEN conductors as specified in relevant standards.

A value of KU = 4.5 with respect to interruptions is attained:

- With a permanently connected protective earth circuit $\geq 1.5 \text{ mm}^2$
- With a protective earth circuit $\geq 2.5 \text{ mm}^2$ connected via shroud connectors (IEC 60309-2).

Important notes

The following applies to all products named in this publication:

1. Some parts of this publication contain **statements about the suitability of our products for certain areas of application**. These statements are based on our knowledge of typical requirements that are often placed on our products in the areas of application concerned. We nevertheless expressly point out **that such statements cannot be regarded as binding statements about the suitability of our products for a particular customer application**. As a rule, EPCOS is either unfamiliar with individual customer applications or less familiar with them than the customers themselves. For these reasons, it is always ultimately incumbent on the customer to check and decide whether an EPCOS product with the properties described in the product specification is suitable for use in a particular customer application.
2. We also point out that in individual cases, a malfunction of passive electronic components or failure before the end of their usual service life cannot be completely ruled out in the current state of the art, even if they are operated as specified. In customer applications requiring a very high level of operational safety and especially in customer applications in which the malfunction or failure of a passive electronic component could endanger human life or health (e.g. in accident prevention or life-saving systems), it must therefore be ensured by means of suitable design of the customer application or other action taken by the customer (e.g. installation of protective circuitry or redundancy) that no injury or damage is sustained by third parties in the event of malfunction or failure of a passive electronic component.
3. The warnings, cautions and product-specific notes must be observed.
4. In order to satisfy certain technical requirements, some of the products described in this publication may contain substances subject to restrictions in certain jurisdictions (e.g. because they are classed as "hazardous"). Useful information on this will be found in our Material Data Sheets on the Internet (www.epcos.com/material). Should you have any more detailed questions, please contact our sales offices.
5. We constantly strive to improve our products. Consequently, **the products described in this publication may change from time to time**. The same is true of the corresponding product specifications. Please check therefore to what extent product descriptions and specifications contained in this publication are still applicable before or when you place an order.
We also **reserve the right to discontinue production and delivery of products**.
Consequently, we cannot guarantee that all products named in this publication will always be available.
6. Unless otherwise agreed in individual contracts, all orders are subject to the current version of the "General Terms of Delivery for Products and Services in the Electrical Industry" published by the German Electrical and Electronics Industry Association (ZVEI).
7. The trade names EPCOS, Baoke, CeraDiode, CSSP, MLSC, PhaseCap, PhaseMod, SIFI, SIKOREL, SilverCap, SIMID, SIOV, SIP5D, SIP5K, UltraCap, WindCap are **trademarks registered or pending** in Europe and in other countries. Further information will be found on the Internet at www.epcos.com/trademarks.