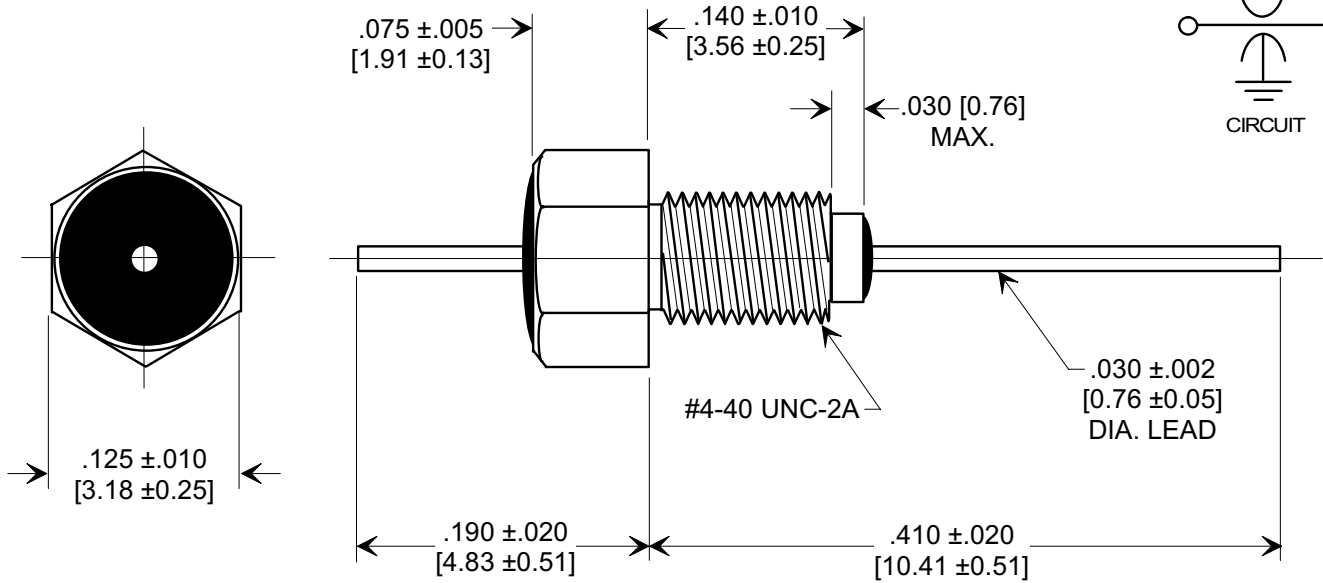
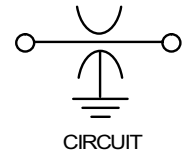
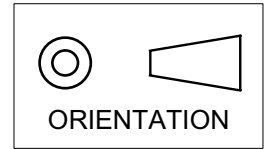


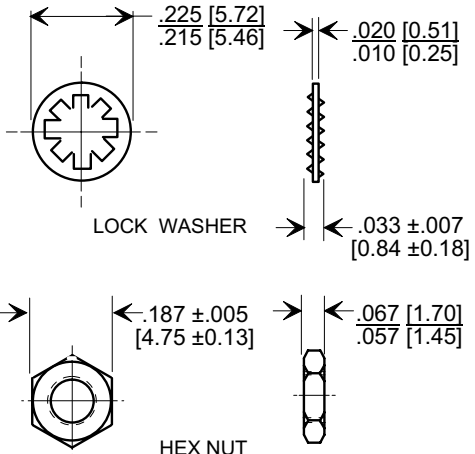
MARKETING SALES DRAWING

DIMENSIONS IN INCHES - DO NOT SCALE THIS DRAWING
DIMENSIONS IN METRIC - []

Electrical Testing
 per Tusonix standard
 test plans and Mil-Std-202
 Test Methods.



MOUNTING HARDWARE



NOTES:

1. OPERATING TEMPERATURE RANGE: -55°C TO +125°C.
2. SILVER PLATED CASE, LEAD AND MOUNTING HARDWARE.
3. MAX. RECOMMENDED MOUNTING TORQUE : 2.0 lb. - in.
4. MAX. RECOMMENDED SOLDERING TEMPERATURE : 260°C. SEE INSTALLATION RECOMMENDATIONS.
5. NUT AND LOCKWASHER INCLUDED.
6. TUSONIX TRADEMARK AND PART VARIATION NUMBER STAMPED ON HEX FLATS.

2700	GMV	150	100	10	---	10	25	40	50
CAP.(pf)	TOLERANCE	+85 °C	+125 °C	DC CURRENT (AMPS)	1 MHz	10 MHz	100 MHz	1 GHz	10 GHz
		DC WORKING VOLTAGE							

REVISION RECORD	Original Release C.O. 6965	0	-040 & -680 ADDED, DC WAS5. E.C. 11-20-92	7052	RDN TO COMP FMT. S.M. 07-16-02	20020715-1-22		--TOLERANCES-- Unless Otherwise Specified		Title		
	DECIMAL ± NOTED							MINI BUSHING STYLE EMI FILTER				
	ANGLES ± NOTED									Drawn	S.M. 06-10-02	Scale
	TUSONIX TUCSON, ARIZONA							Approved	J.Mc. 06-10-02		A	4403-033