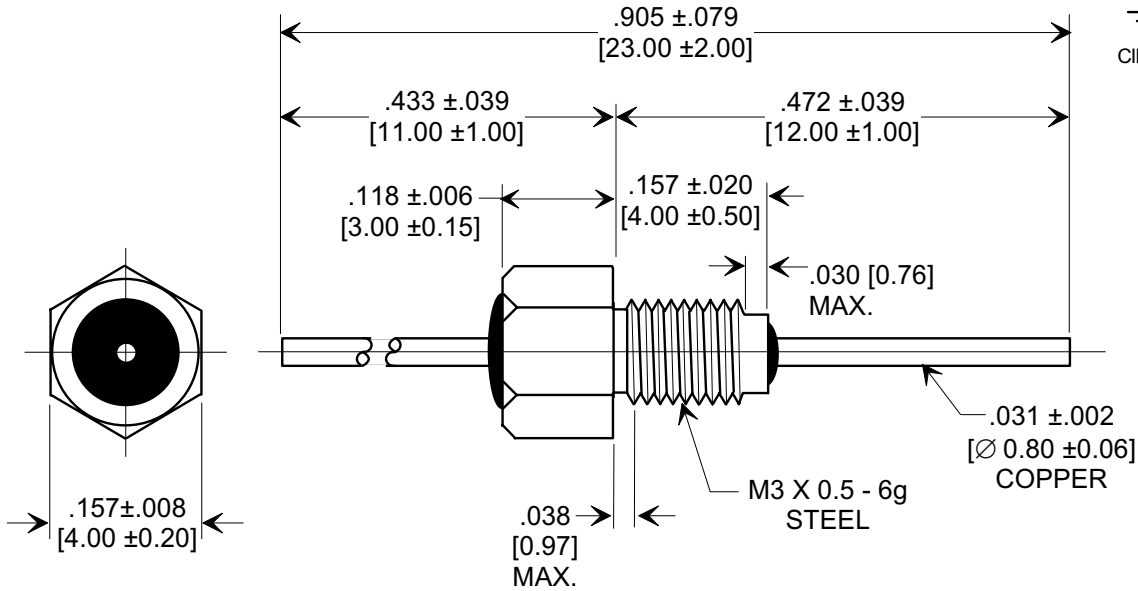
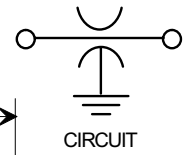
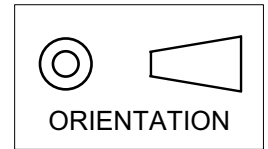
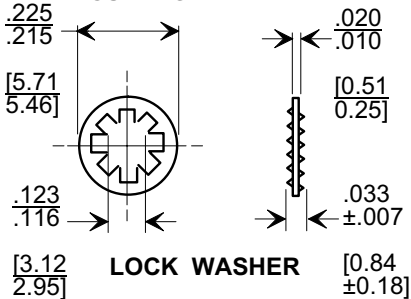


**MARKETING SALES DRAWING**  
**DIMENSIONS IN INCHES - DO NOT SCALE THIS DRAWING**  
**DIMENSIONS IN METRIC [ ]**

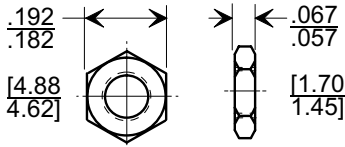
Electrical Testing  
per Tusonix standard  
test plans and Mil-Std-202  
Test Methods.



**MOUNTING HARDWARE**



**LOCK WASHER**



**HEX NUT**

**NOTES:**

1. TUSONIX STANDARD PART NUMBER: 4400-094.  
TUSONIX RoHS COMPLIANT PART NUMBER: 4400-094 LF.  
CUSTOMER MUST SPECIFY STANDARD OR RoHS PART NUMBER WHEN ORDERING.
2. MATERIAL: BUSHING; SILVER PLATED. LEAD; SILVER PLATED.
3. PART MARKING: TRADEMARK AND VARIATION NUMBER ON HEX FLATS. STANDARD PART: BLACK INK. RoHS PART: GREEN INK.
4. OPERATING TEMP. RANGE: -55°C TO +125°C.
5. MAX. RECOMMENDED SOLDERING TEMPERATURE : 260° C.
6. SUPPLIED WITH SILVER PLATED INTERNAL TOOTH LOCK WASHER.
7. MAX. RECOMMENDED MOUNTING TORQUE : 2.0 [226 Nm.]

CAP.(pf)	TOLERANCE	DC WORKING VOLTAGE		DC CURRENT (AMPS)	I.R. MIN. @ 100 (VDC)	DWV (VDC)	MIN. NO LOAD INSERTION LOSS (db) @ 25°C PER MIL-STD-220				
		85°C	125 °C				1 MHz	10 MHz	100 MHz	1 GHz	10 GHz
4,700	GMV	150	100	10	10 G Ω	250	---	15	30	45	55

X-2015 Rev-0

REVISION RECORD		
Original Release	0	
C.O. 19991013-1-02		
ADDED HEX NUT (2) PLCS.		
S.M. 01-07-00		
20000104-1-02	1	
ORIENTATION SYMBOL ADDED		
DWV(VDC) 500 DELETED		
L.E. 04-14-00		
20000410-2-03	2	
ADDED IR & DWV. ADDED &		
REVISED NOTES.S.M.12-01-05		
20051128-1-14	3	

--TOLERANCES-- Unless Otherwise Specified		Title <b>BUSHING STYLE EMI FILTER</b>	
DECIMAL ± NOTED		Drawn	S.M. 10-14-99
ANGLES ±		Scale	5 X
 TUCSON, ARIZONA		Approved	E.F. 10-14-99
		<b>A</b>	<b>4400-094</b>