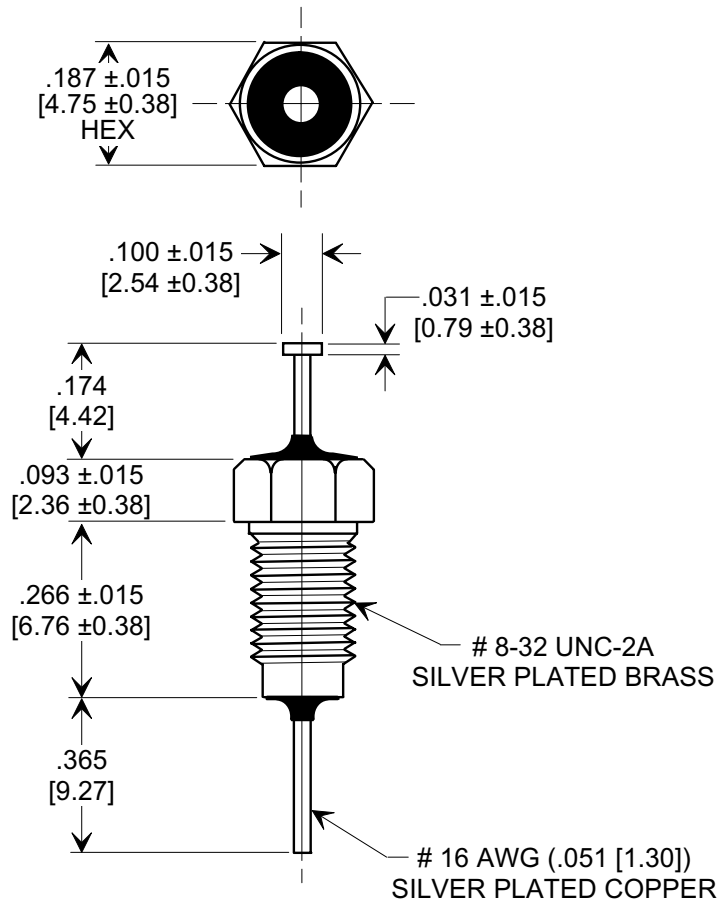
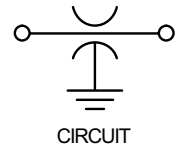
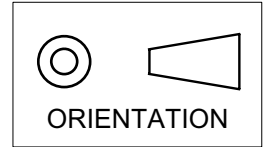


# MARKETING SALES DRAWING

**DIMENSIONS IN INCHES - DO NOT SCALE THIS DRAWING**  
**DIMENSIONS IN METRIC - [ ]**

This drawing is the property of Tusonix, Inc., and may not be used, reproduced, published or disclosed to others without expressed authorization by Tusonix Inc.

**Electrical Testing  
per Tusonix standard  
test plans and Mil-Std-202  
Test Methods.**



## SPECIFICATIONS

TUSONIX STYLE:	2425-001
CAP. VALUE:	5000 pF
CAP. TOLERANCE:	GMV *
TEMP. CHARACTERISTIC:	X5W
RATING:	200 VDC @ + 85°C/100 VDC @ +125°C
OPERATING RANGE:	-55°C TO +125°C
IR MIN. @ 100 VDC:	10 G Ω
DWV VDC:	600

### NOTES:

- SUPPLIED WITH SILVER PLATED HEX NUT.
- TUSONIX STANDARD PART NUMBER: 2425-001-X5W0-502AA. TUSONIX RoHS COMPLIANT PART NUMBER: 2425-001-X5W0-502AA LF. CUSTOMER MUST SPECIFY STANDARD OR RoHS PART NUMBER WHEN ORDERING.
- PART MARKING: STANDARD PART: BLACK INK FOR TRADEMARK AND CAP. CODE. RoHS PART: GREEN INK FOR TRADEMARK AND CAP. CODE.

\* GMV - GUARANTEED MINIMUM VALUE

<b>REVISION RECORD</b> Original Release C.C. <b>20011113-7-01</b> REVISED RATING, OPERATING RANGE, ADDED IR & DWV. ADDED & REVISED NOTES. S.M. 03-09-06 <b>20060217-2-10</b>	<b>0</b>	<b>1</b>	--TOLERANCES-- Unless Otherwise Specified	Title <b>MINIATURE BUSHING FEED-THRU CAPACITOR</b>	
	DECIMAL ± .031 [0.79]		Drawn S.M. 11-13-01		
	ANGLES ±		Approved B.Mc. 11-13-01		
	<b>TUSONIX</b> TUCSON, ARIZONA		<b>A</b> 2425-001-X5W0-502AA		