



EMIF08-2005QEJ

IPAD™

EMI FILTER INCLUDING ESD PROTECTION

APPLICATIONS:

Where EMI filtering in ESD sensitive equipment is required :

- Computers and printer
- Communication systems
- Mobile phones

DESCRIPTION

The EMIF08-2005QEJ is a highly integrated device designed to suppress EMI/RFI noise in all systems subjected to electromagnetic interferences. Additionally, the EMIF08-2005QEJ filter includes an ESD protection circuitry which prevents destruction when subjected to ESD discharge up to 15kV.

BENEFITS

- EMI symmetrical low-pass filter
- Low PCB space consuming: 9 mm²
- Very thin package < 1 mm
- High reliability offered by monolithic integration

COMPLIES WITH THE FOLLOWING STANDARDS:

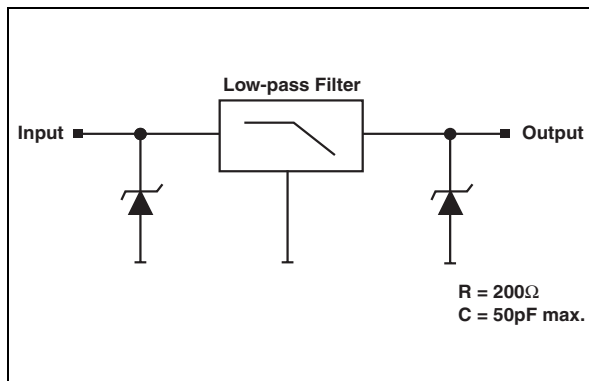
IEC61000-4-2:

15kV (air discharge)
8kV (contact discharge)

MIL STD 883E - Method 3015-7 Class 3:

25kV (human body test)

Figure 3: Basic Cell Configuration



TM: IPAD is a trademark of STMicroelectronics.

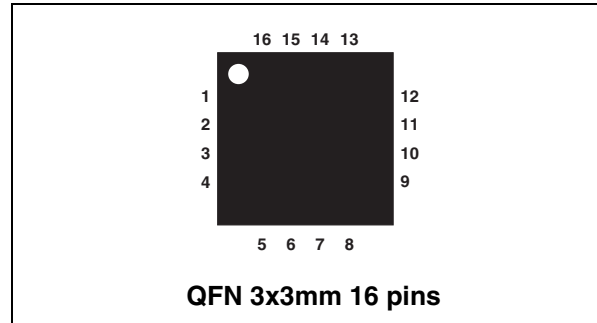


Table 1: Order Code

Part Number	Marking
EMIF08-2005QEJ	EM08

Figure 2: Pin Configuration

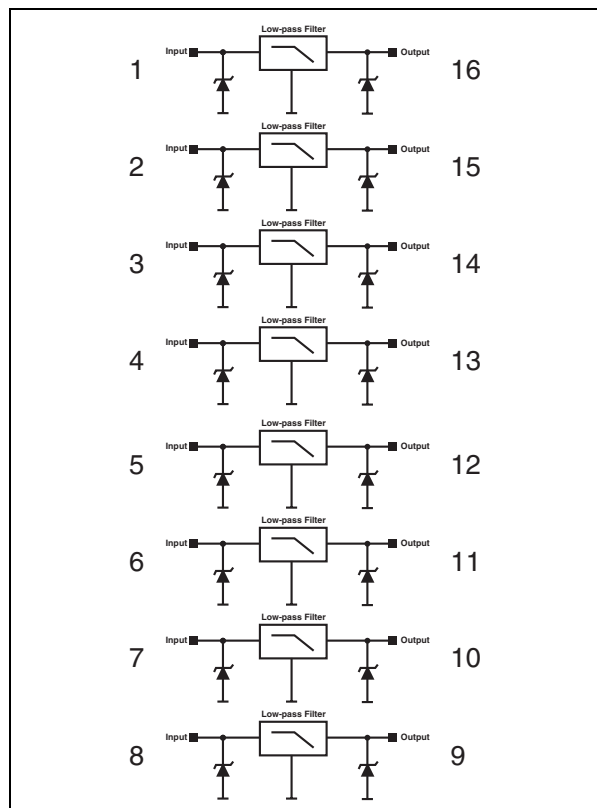
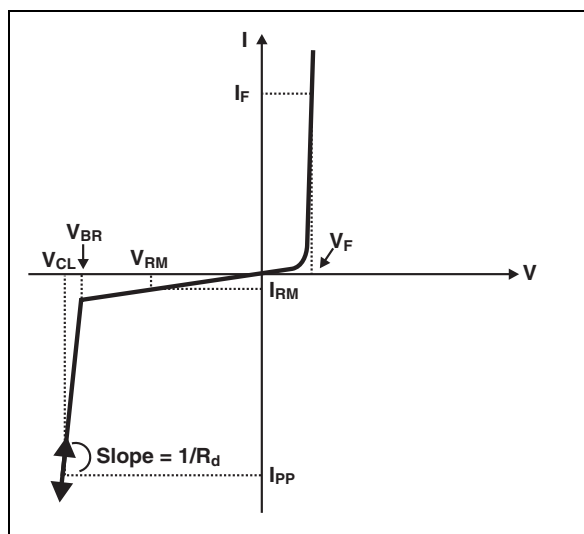


Table 2: Absolute Ratings ($T_{amb} = 25^{\circ}\text{C}$)

Symbol	Parameter and test conditions		Value	Unit
V_{PP}	ESD discharge	EC61000-4-2 air discharge IEC61000-4-2 contact discharge	± 15 ± 8	kV
T_j	Junction temperature		125	$^{\circ}\text{C}$
T_{stg}	Storage temperature range		- 55 +150	$^{\circ}\text{C}$
T_L	Maximum lead temperature for soldering		260	$^{\circ}\text{C}$

Table 3: Electrical Characteristics ($T_{amb} = 25^{\circ}\text{C}$)

Symbol	Parameter
V_{BR}	Breakdown voltage
I_{RM}	Leakage current @ V_{RM}
V_{RM}	Stand-off voltage
V_{CL}	Clamping voltage
I_{PP}	Peak pulse current
αT	Voltage temperature coefficient
V_F	Forward voltage drop
$R_{I/O}$	Series resistance between Input & Output
C_{line}	Input capacitance per line



Symbol	Test conditions	Min.	Typ.	Max.	Unit
V_{BR}	$I_R = 1 \text{ mA}$	6	8	10	V
I_{RM}	$V_{RM} = 3\text{V}$ per line			500	nA
R_d	$I_{PP} = 10\text{A}$, $t_p = 2.5\mu\text{s}$		1		Ω
$R_{I/O}$		180	200	220	Ω
C_{in}	$V_{bias} = 0\text{V}$ $F = 1\text{MHz}$ $V_{osc} = 30\text{mV}$		45	50	pF

Figure 3: Filtering behavior

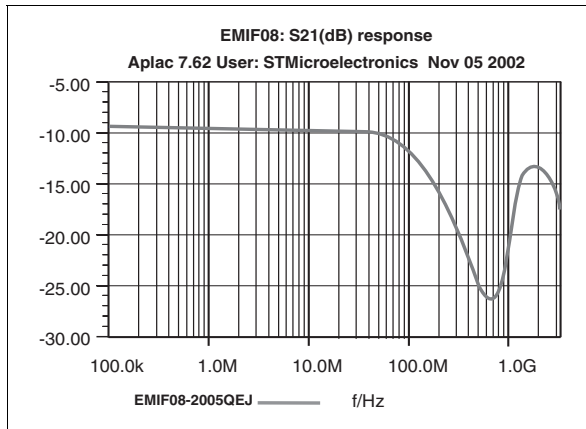


Figure 4: Capacitance versus reverse applied voltage

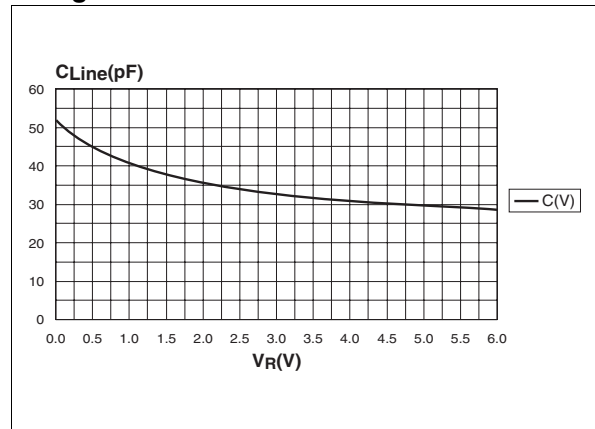


Figure 5: Ordering Information Scheme

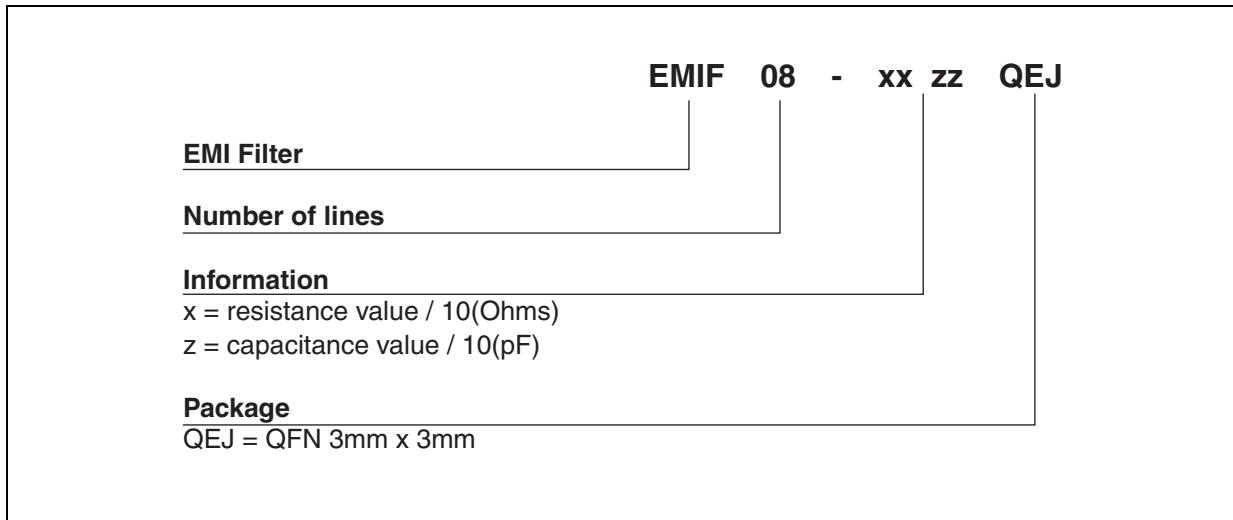


Figure 6: QFN Package Mechanical Data

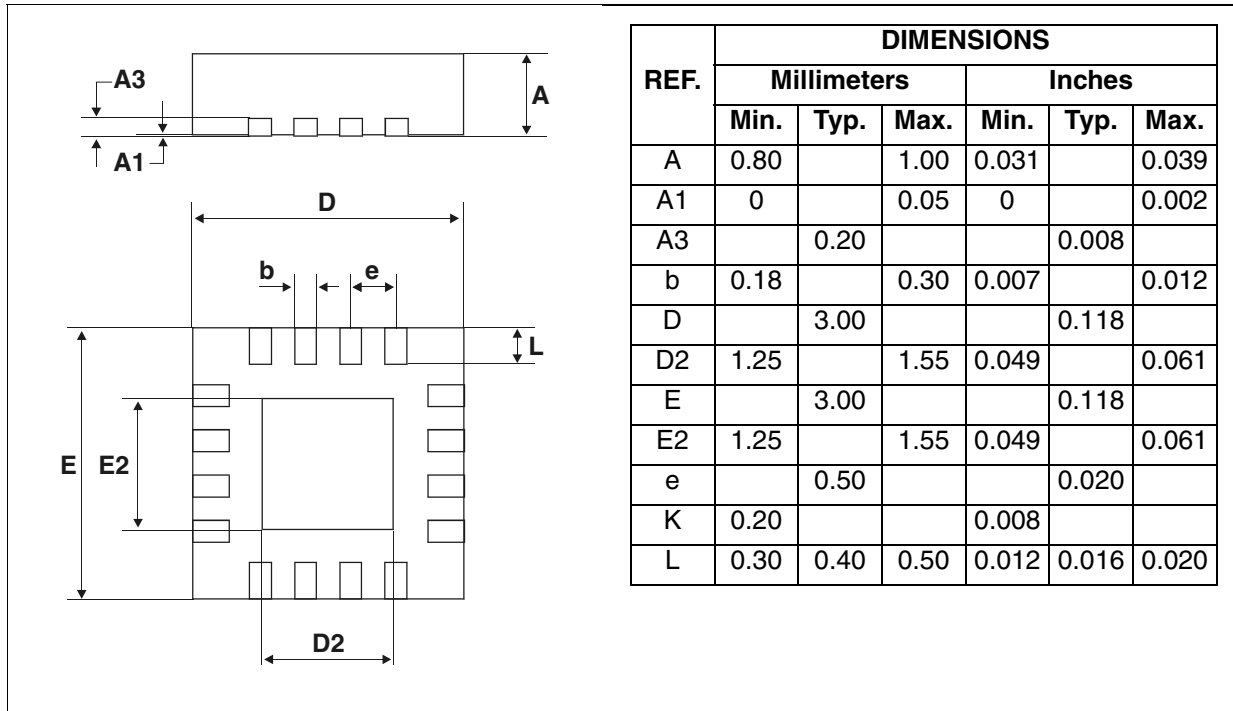


Figure 7: Foot Print Dimensions (in millimeters)

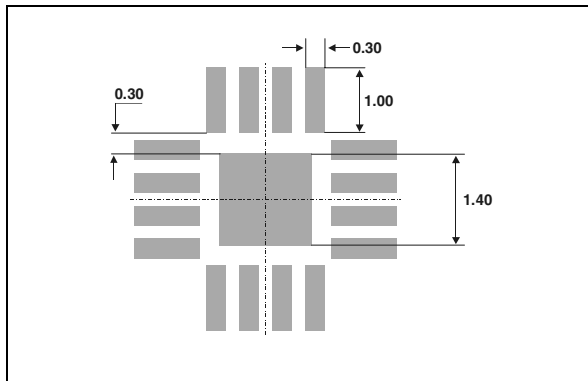


Table 4: Ordering Information

Ordering code	Marking	Package	Weight	Base qty	Delivery mode
EMIF08-2005QEJ	EM08	QFN 3x3 16 pins	22.1 mg	3000	Tape & reel

Table 5: Revision History

Date	Revision	Description of Changes
Dec-2002	2A	Last issue.
03-Jan-2005	3	Minor template update. No content change.
01-Apr-2005	4	QFN package mechanical data update: 1/ References A typ., A1 typ., b typ. D2 typ. and E2 typ. removed. 2/ Reference D2 changed from 0.25 min. to 1.25 min. and from 1.25 max. to 1.55 max. 3/ Reference E2 changed from 0.25 min. to 1.25 min. and from 1.25 max. to 1.55 max. 4/ Footprint updated, in compliance with IPC-SM-782.

Information furnished is believed to be accurate and reliable. However, STMicroelectronics assumes no responsibility for the consequences of use of such information nor for any infringement of patents or other rights of third parties which may result from its use. No license is granted by implication or otherwise under any patent or patent rights of STMicroelectronics. Specifications mentioned in this publication are subject to change without notice. This publication supersedes and replaces all information previously supplied. STMicroelectronics products are not authorized for use as critical components in life support devices or systems without express written approval of STMicroelectronics.

The ST logo is a registered trademark of STMicroelectronics.
All other names are the property of their respective owners

© 2005 STMicroelectronics - All rights reserved

STMicroelectronics group of companies

Australia - Belgium - Brazil - Canada - China - Czech Republic - Finland - France - Germany - Hong Kong - India - Israel - Italy - Japan -
Malaysia - Malta - Morocco - Singapore - Spain - Sweden - Switzerland - United Kingdom - United States of America
www.st.com