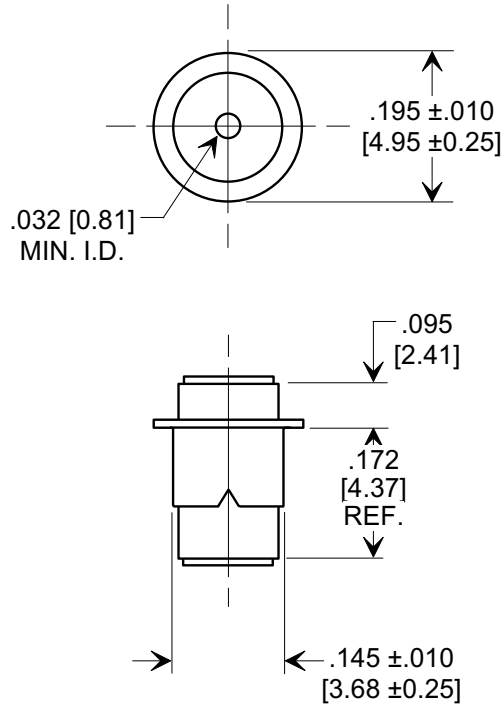
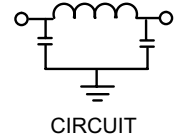
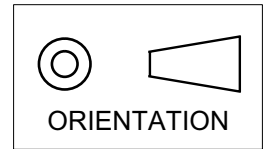


Electrical Testing
per Tusonix standard
test plans and Mil-Std-202
Test Methods.

MARKETING SALES DRAWING
DIMENSIONS IN INCHES - DO NOT SCALE THIS DRAWING
DIMENSIONS IN METRIC - []



NOTES:

- TUSONIX STANDARD PART NUMBER: 4101-000.
TUSONIX RoHS COMPLIANT PART NUMBER: 4101-000 LF.
CUSTOMER MUST SPECIFY STANDARD OR RoHS PART NUMBER WHEN ORDERING.
- RoHS COMPLIANT PART MARKED WITH GREEN DOT FOR IDENTIFICATION.

MIN. CAP. (pF)	WORKING VOLTAGE (WVdc)		CURRENT Idc.	I.R. MIN. @ 100 (VDC.)	DWV (VDC)	MINIMUM NO LOAD INSERTION LOSS (dB) AT 25°C PER MIL-STD-220			
	85°C	125°C				10 MHz	100 MHz	1 GHz	10 GHz
1750	250	125	10 A	10 G	500	5	35	50	50

REVISION RECORD	0	Original Release C.O.
	1	WAS SK 6644-080-S. LE 1-13-84
	2	DIM'S & TOL'S REV'D. RELEASED. L.E. 1-8-85
	C.O.1653	CURRENT UNIT "A" ADDED L.E. 8-20-85
	2595	RDN. TO COMP. FMT. S.M. 07-19-00
	20000914-3-03	DIM. .145 TOL WAS ±.018. ADDED I.R. DWV & CIRCUIT. S.M.11-05-04
20041105-1-01	ADDED NOTES. S.M. 03-14-05	
20050314-3-01		
--TOLERANCES-- Unless Otherwise Specified		Title EYELET STYLE EMI FILTER
DECIMAL ± .015 [0.38]		
ANGLES ±		Drawn S.M. 07-19-00 Scale 4 X
TUSONIX TUCSON, ARIZONA		Approved T.C. 07-19-00
		A 4101-000

X-2015 Rev-0