

RoHS Compliant

Features

- 0603 Size. Rated current up to 2A MAX.
- Effective for filtering noise on power (Vcc) lines.

Applications

- PCs, Laser Printers, Cellular Phone, Power/ Signal Lines for LCD Display, Office Equipments
- AV Power Supply/ Signal Line, TV, VCR, etc.
- High Current Signal Lines

How to Order

KNH 16 C104 DA 5T S
① ② ③ ④ ⑤ ⑥

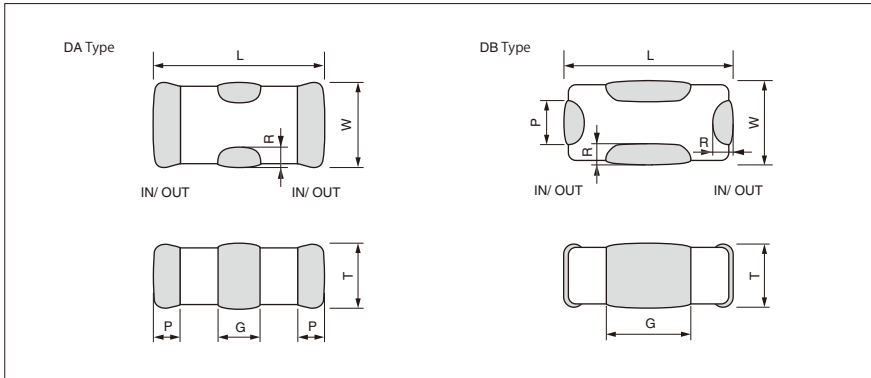
| | |
|---------------|---|
| ① Series | |
| ② Size Code | 1608 (EIA: 0603) |
| ③ Capacitance | |
| C105 | 1,000,000pF |
| C104 | 100,000pF |
| ④ Application | |
| DA | Digital Circuit in General (Std. Type) |
| DB | Digital Circuit in General (High Att. Type) |
| ⑤ Packaging | |
| 5T | T&R: 5000 pcs. (Std.) |
| ⑥ Termination | |
| S | Std. |

Specifications

| Part Number | Capacitance (+50/ -20%) | Rated Current | Rated Voltage | Temp. Coefficient of Capacitance |
|----------------|-------------------------|---------------|---------------|----------------------------------|
| KNH16C105DB5TS | 1,000,000pF | 2.0A | 10VDC | ±15% |
| KNH16C104DB5TS | 100,000pF | 2.0A | 25VDC | ±15% |

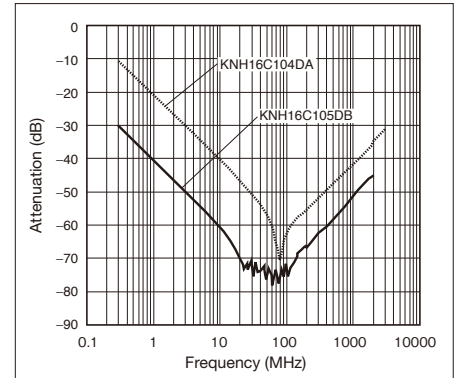
Dimensions

(Unit: mm)



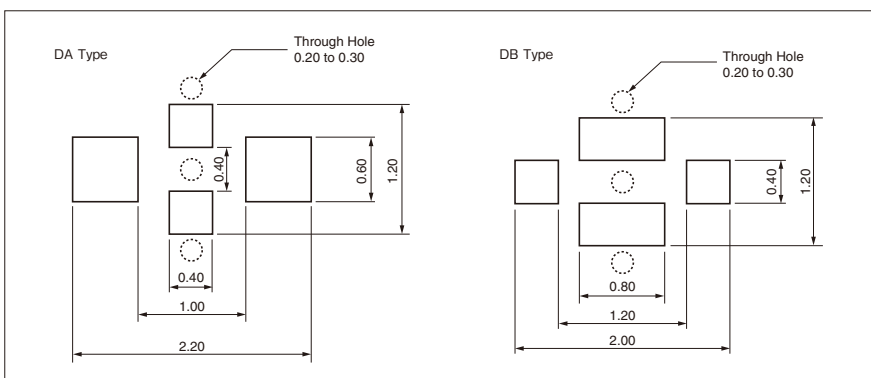
| CODE | L | W | T |
|---------|-----------|-----------|-----------|
| KNH16 | 1.60±0.10 | 0.80±0.10 | 0.60±0.10 |
| CODE | G | P | R |
| DA Type | 0.40±0.10 | 0.25±0.10 | ≥0.01 |
| DB Type | 0.85±0.15 | 0.40±0.10 | ≥0.01 |

Attenuation Characteristics



Recommended Land Pattern

(Unit: mm)



Packaging Specification

- Taping (5,000/ reel) (Unit: mm)

