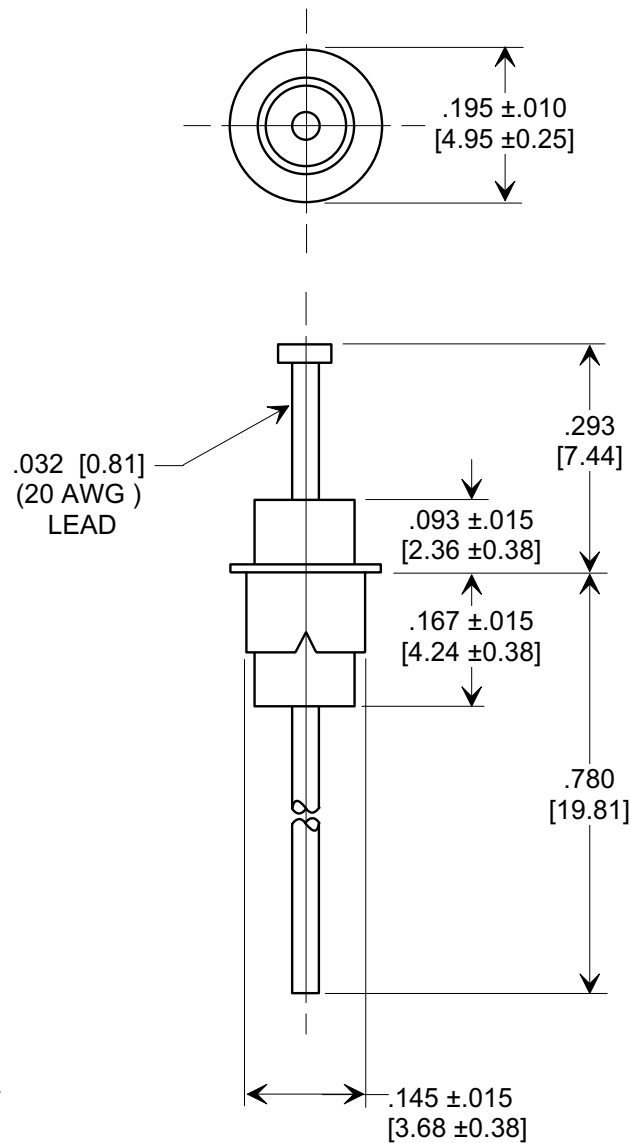
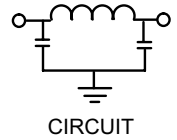
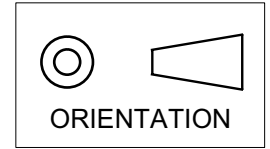


MARKETING SALES DRAWING
DIMENSIONS IN INCHES - DO NOT SCALE THIS DRAWING
DIMENSIONS IN METRIC - []

Electrical Testing
 per Tusonix standard
 test plans and Mil-Std-202
 Test Methods.



NOTES:

- TUSONIX STANDARD PART NUMBER: 4101-002.
 TUSONIX RoHS COMPLIANT PART NUMBER: 4101-002 LF.
 CUSTOMER MUST SPECIFY STANDARD OR RoHS PART NUMBER WHEN ORDERING.
- RoHS COMPLIANT PART MARKED WITH GREEN DOT FOR IDENTIFICATION.

MIN. CAP. (pF)	WORKING VOLTAGE (WVdc)		CURRENT Idc.	I.R. MIN. @ 100 (VDC.)	DWV (VDC)	MINIMUM NO LOAD INSERTION LOSS (dB) AT 25°C PER MIL-STD-220			
	85°C	125°C				10MHz	100MHz	1GHz	10GHz
1750	250	125	10A	10 G Ω	500	5	50	60	60

X-2015 Rev-0	REVISION RECORD								--TOLERANCES-- Unless Otherwise Specified		Title EYELET STYLE EMI FILTER	
	0	Original Release C.O.	1	DRAWING REVISED	2	LE 12-9-83	3	LE 1-13-84				
	4	WAS SK6644-070-S LE 1-13-84	5	DIMS. AND TOL. REVSD., DWG. RELEASED LE 1-8-85	6	C.O. 1653	7	CURRENT UNIT "A" ADDED L.E. 8-20-85	ANGLES ±		Approved T.C. 2-26-97	
	8	C.O. 2595	9	RDRWN TO COMP. FRMT., RMVD WSHRS, CHGD DIMS. .093 WS .113, .167 WS .177 EC 2-26-97	10	970224-6	11	ADDED RED EPOXY COATING. S.M. 07-15-98	TUSONIX TUCSON, ARIZONA			A