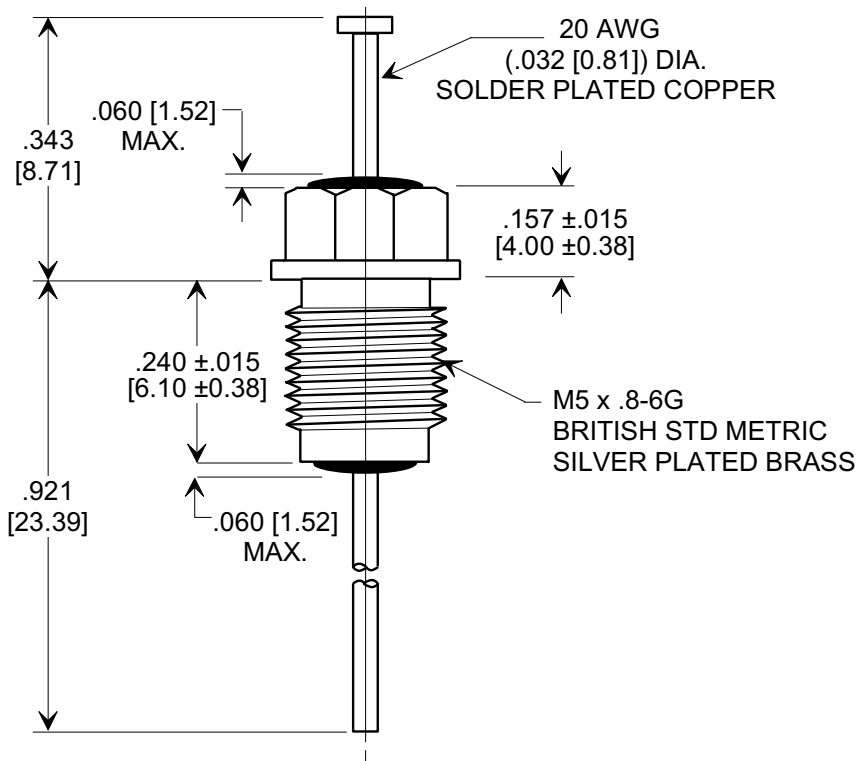
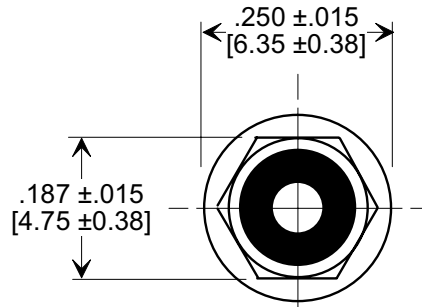
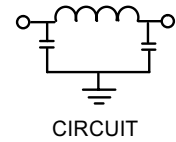
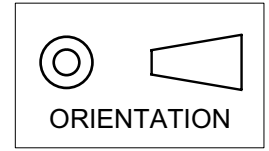


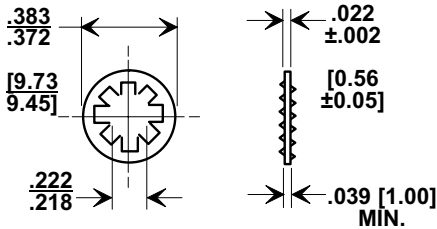
# MARKETING SALES DRAWING

DIMENSIONS IN INCHES - DO NOT SCALE THIS DRAWING  
 DIMENSIONS IN METRIC - [ ]

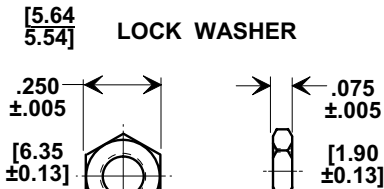
Electrical Testing  
 per Tusonix standard  
 test plans and Mil-Std-202  
 Test Methods.



**SILVER PLATED MOUNTING HARDWARE**



**LOCK WASHER**



M5X .8 - 6H  
 AFTER  
 PLATING

**HEX NUT**

5500	350	100	10 A	I.R. MIN. @ 100 (VDC.)	DWV	20	65	70	70
	85°C	125°C				10 MHz	100 MHz	1 GHz	10 GHz
MIN. CAP. (pF)	WORKING VOLTAGE (WVdc)		CURRENT IDC	10 G Ω	700 vdc	MINIMUM NO LOAD INSERTION LOSS (dB) AT 25°C PER MIL-STD -220			

X-2015 Rev-0

<b>REVISION RECORD</b>	Original Release C.O. <b>4668</b>	<b>0</b>
	WVDC 85° C WAS 200. E.C. 03-18-97	<b>1</b>
	RDN TO COMP FMT & ADDED L WASHER, HET NUT & NOTE 1. S.M. 10-20-98	<b>970318-2</b>
	<b>19981019-5-01</b>	<b>2</b>
	ADDED METRIC, CIRCUIT & ORIENTATION. S.M. 12-18-01	<b>20011210-2-04</b>
CAP WAS 5000. FIXED METRIC 2 PLCS. S.M. 07-14-03	<b>20030711-1-01</b>	<b>4</b>
SOLDER PLATED, SOLDER PLATED COPPER, SILVER PLATED BRASS & IR MIN. @ 100 VDC & DWV COLUMNS ADDED & NOTE DELETED L.E. 01-30-04	<b>20040130-1-01</b>	<b>5</b>

<b>TUSONIX</b> TUCSON, ARIZONA	Title <b>BUSHING STYLE EMI FILTER</b>	
	Drawn S.M. 10-20-98	
-- TOLERANCES -- Unless Otherwise Specified	Approved S.C. 10-20-98	
2 Place Decimal ±	<b>A</b> <b>4209-053</b>	
3 Place Decimal ± .031 [0.79]		
Angles ±		