

## Important notice

Dear Customer,

On 7 February 2017 the former NXP Standard Product business became a new company with the tradename **Nexperia**. Nexperia is an industry leading supplier of Discrete, Logic and PowerMOS semiconductors with its focus on the automotive, industrial, computing, consumer and wearable application markets

In data sheets and application notes which still contain NXP or Philips Semiconductors references, use the references to Nexperia, as shown below.

Instead of <http://www.nxp.com>, <http://www.philips.com/> or <http://www.semiconductors.philips.com/>, use <http://www.nexperia.com>

Instead of [sales.addresses@www.nxp.com](mailto:sales.addresses@www.nxp.com) or [sales.addresses@www.semiconductors.philips.com](mailto:sales.addresses@www.semiconductors.philips.com), use [salesaddresses@nexperia.com](mailto:salesaddresses@nexperia.com) (email)

Replace the copyright notice at the bottom of each page or elsewhere in the document, depending on the version, as shown below:

- © NXP N.V. (year). All rights reserved or © Koninklijke Philips Electronics N.V. (year). All rights reserved

Should be replaced with:

- © **Nexperia B.V. (year). All rights reserved.**

If you have any questions related to the data sheet, please contact our nearest sales office via e-mail or telephone (details via [salesaddresses@nexperia.com](mailto:salesaddresses@nexperia.com)). Thank you for your cooperation and understanding,

Kind regards,

Team Nexperia

# IP4365CX11

Integrated (U)SIM card passive filter array and USB full speed ESD protection to IEC 61000-4-2 level 4

Rev. 01 — 26 March 2010

Product data sheet

## 1. Product profile

---

### 1.1 General description

The IP4365CX11 is a fully integrated smart card interface device according ISO/IEC 7816-3 for the Subscriber Identity Module (SIM) card interface and according ISO/IEC 7816-12 for the Universal Subscriber Identity Module (USIM) Universal Serial Bus (USB) interface. It is designed to provide ElectroMagnetic Interference (EMI) filtering and ElectroStatic Discharge (ESD) protection for the conventional digital interface and also for the USB interface.

The 3-channel EMI filter is identical to the filter available as ESD protection and EMI filter IP4366CX8 (which does not contain the additional USB full speed ESD protection). It also provides RC low-pass filtering of undesired Radio Frequency (RF) signals in the 800 MHz to 3000 MHz frequency band. The IP4365CX11 is designed to provide protection to downstream components from ESD voltages as high as  $\pm 15$  kV contact discharge and  $> \pm 15$  kV air discharge according the IEC 61000-4-2 model, far exceeding standard level 4.

The device is fabricated using monolithic silicon technology and integrate three resistors and several high-level ESD-protection diodes in a single Wafer-Level Chip-Scale Package (WLCSP). These features make the IP4365CX11 ideal for use in applications requiring the utmost in miniaturization such as mobile phone handsets, cordless telephones and personal digital devices.

### 1.2 Features and benefits

- Pb-free, RoHS compliant and free of halogen and antimony (Dark Green compliant)
- 3-channel SIM card interface integrated RC filter array
- Integrated 100  $\Omega$ /100  $\Omega$ /47  $\Omega$  series channel resistors
- 2-channel USB full speed compliant ESD protection for USIM
- 1-channel ESD protection for card supply
- 10 pF channel capacitance
- EMI filter compatible with IP4366CX8
- Integrated ESD protection withstanding  $\pm 15$  kV contact discharge and  $> \pm 15$  kV air discharge, far exceeding IEC 61000-4-2 level 4
- WLCSP with 0.4 mm pitch

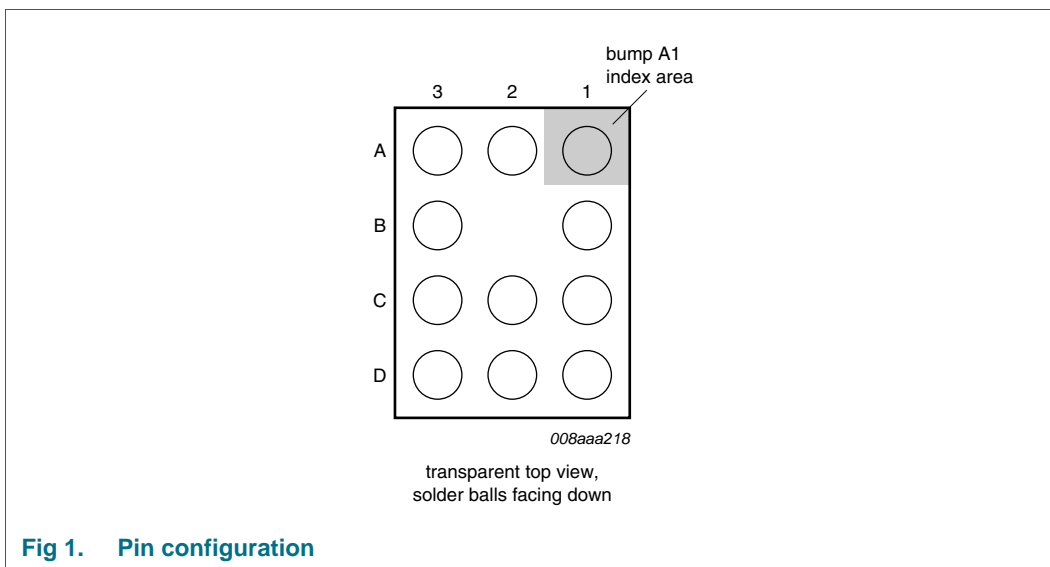
### 1.3 Applications

- USIM, SIM and similar smart card interfaces in e.g. cellular and Personal Communication System (PCS) mobile handsets and wireless modems



## 2. Pinning information

### 2.1 Pinning



### 2.2 Pin description

Table 1. Pinning

Pin	Description
A1	internal pin RST or I/O channel
A2	ground
A3	external pin RST or I/O channel
B1	internal pin CLK channel
B2	not connected (missing ball)
B3	external pin CLK channel
C1	internal pin I/O or RST channel
C2	ground
C3	external pin I/O or RST channel
D1	external ESD protection (USB data or supply)
D2	external ESD protection (USB data or supply)
D3	external ESD protection (USB data or supply)

## 3. Ordering information

Table 2. Ordering information

Type number	Package		Version
	Name	Description	
IP4365CX11/P	WLCSP11	wafer level chip-size package; 11 bumps (3 × 4 - B2)	IP4365CX11/P

### 4. Functional diagram

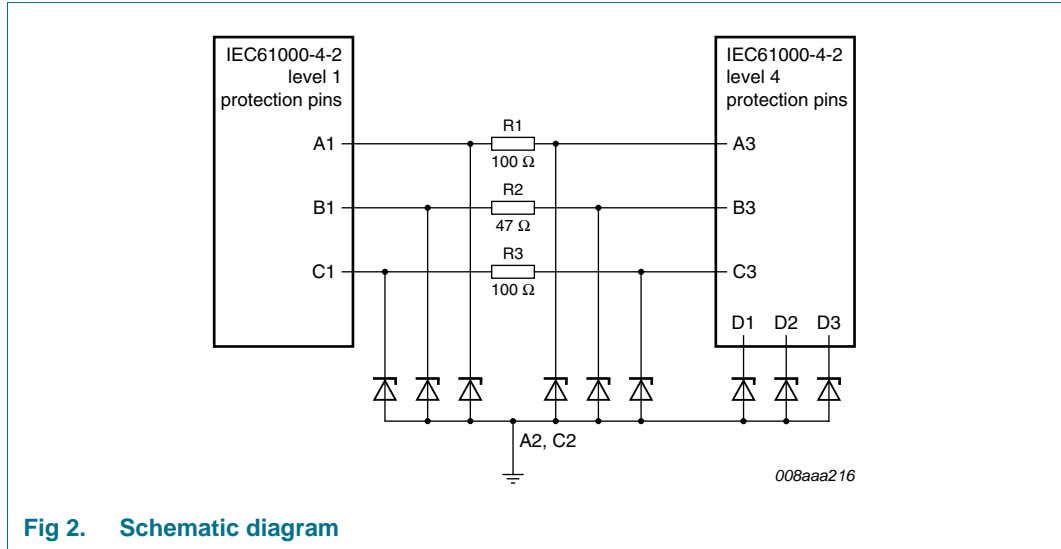


Fig 2. Schematic diagram

### 5. Limiting values

Table 3. Limiting values

In accordance with the Absolute Maximum Rating System (IEC 60134).

Symbol	Parameter	Conditions	Min	Max	Unit
$V_I$	input voltage		-0.5	+5.5	V
$V_{ESD}$	electrostatic discharge voltage	pins A3, B3, C3, D1, D2 and D3 to ground (A2, C2)			
		contact discharge	[1] -15	+15	kV
		air discharge	[1] -15	+15	kV
		IEC 61000-4-2 level 4; pins A3, B3, C3, D1, D2 and D3 to ground (A2, C2)			
		contact discharge	-8	+8	kV
		air discharge	-15	+15	kV
		IEC 61000-4-2 level 1; pins A1, B1 and C1 to ground (A2, C2)			
		contact discharge	-2	+2	kV
		air discharge	-2	+2	kV
$P_{ch}$	channel power dissipation	continuous power; $T_{amb} = 70\text{ °C}$	-	60	mW
$P_{tot}$	total power dissipation	continuous power; $T_{amb} = 70\text{ °C}$	-	180	mW
$T_{stg}$	storage temperature		-55	+150	°C
$T_{reflow(peak)}$	peak reflow temperature	10 s maximum	-	260	°C
$T_{amb}$	ambient temperature		-35	+85	°C

[1] Device is qualified with 1000 pulses of ±15 kV contact discharges each, according to the IEC61000-4-2 model and far exceeds the specified level 4 (8 kV contact discharge).

## 6. Characteristics

**Table 4. Electrical characteristics**

$T_{amb} = 25\text{ }^{\circ}\text{C}$ ; unless otherwise specified.

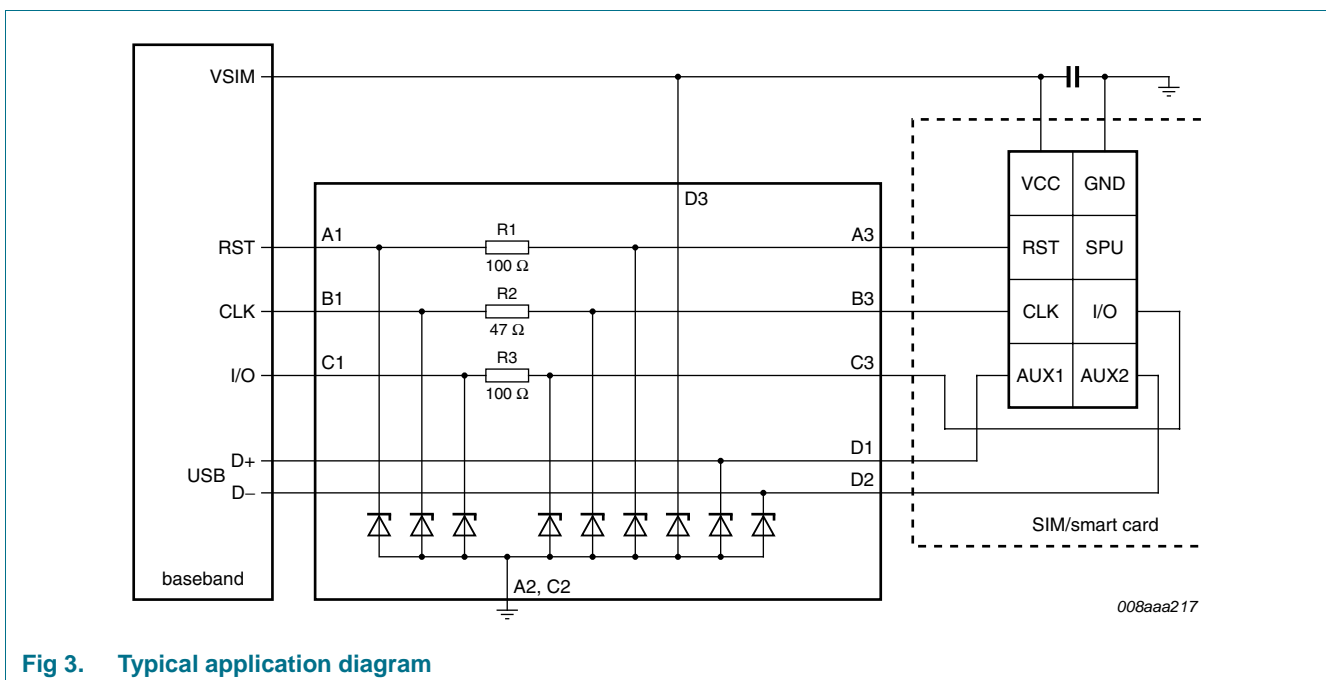
Symbol	Parameter	Conditions	Min	Typ	Max	Unit
$R_{s(ch)}$	channel series resistance	R1 and R3	75	100	125	$\Omega$
		R2	35.2	47.0	58.8	$\Omega$
$C_{ch}$	channel capacitance	channel A1 to A3, channel B1 to B3, channel C1 to C3, pins D1, D2 and D3; $V_{bias(DC)} = 0\text{ V}$ ; $f = 1\text{ MHz}$	[1] 8	10	12	pF
$V_{BR}$	breakdown voltage	$I_{test} = 1\text{ mA}$	6	-	10	V
$I_{LR}$	reverse leakage current	$V_I = 3\text{ V}$	-	-	50	nA

[1] Guaranteed by design.

## 7. Application information

### 7.1 Application diagram

A typical application diagram showing IP4365CX11 in a SIM card interface using the standard digital and the USB full speed interface is depicted in Figure 3. The 2 kV ESD compliant pins (A1, B1 and C1) are connected to the baseband interface side while the six 15 kV ESD compliant pins (pins A3, B3, C3, D1, D2 and D3) are connected to the USIM card. Pins D1, D2 and D3 are identical and can be used as required. Also the channel A1 to A3 and the channel C1 to C3 can be exchanged in case this is required for an easier routing.



**Fig 3. Typical application diagram**

7.2 Insertion loss

The IP4365CX11 is mainly designed as an EMI/RFI filter for SIM card interfaces. The insertion loss measurement configuration of a typical 50 Ω NetWork Analyzer (NWA) system for evaluation of the IP4365CX11 is shown in [Figure 4](#).

The insertion loss in a 50 Ω NWA system for all three resistor equipped channels of IP4365CX11 is depicted in [Figure 5](#). The insertion loss is measured with a test Printed-Circuit Board (PCB) utilizing laser drilled micro-via holes that connect the PCB ground plane to the ground pins.

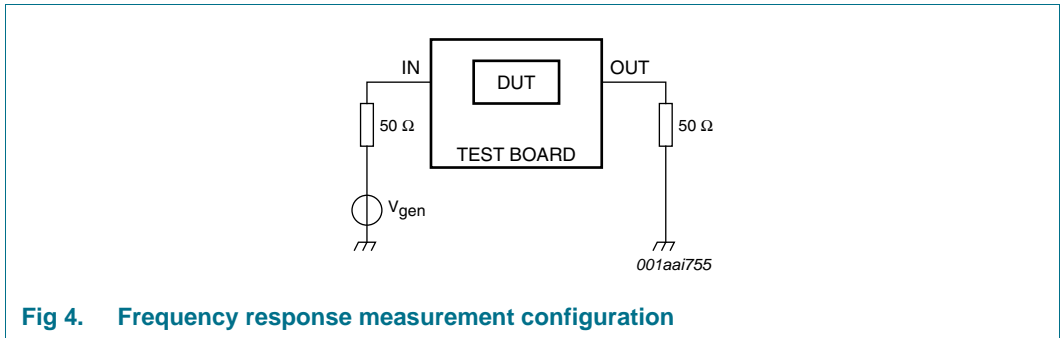


Fig 4. Frequency response measurement configuration

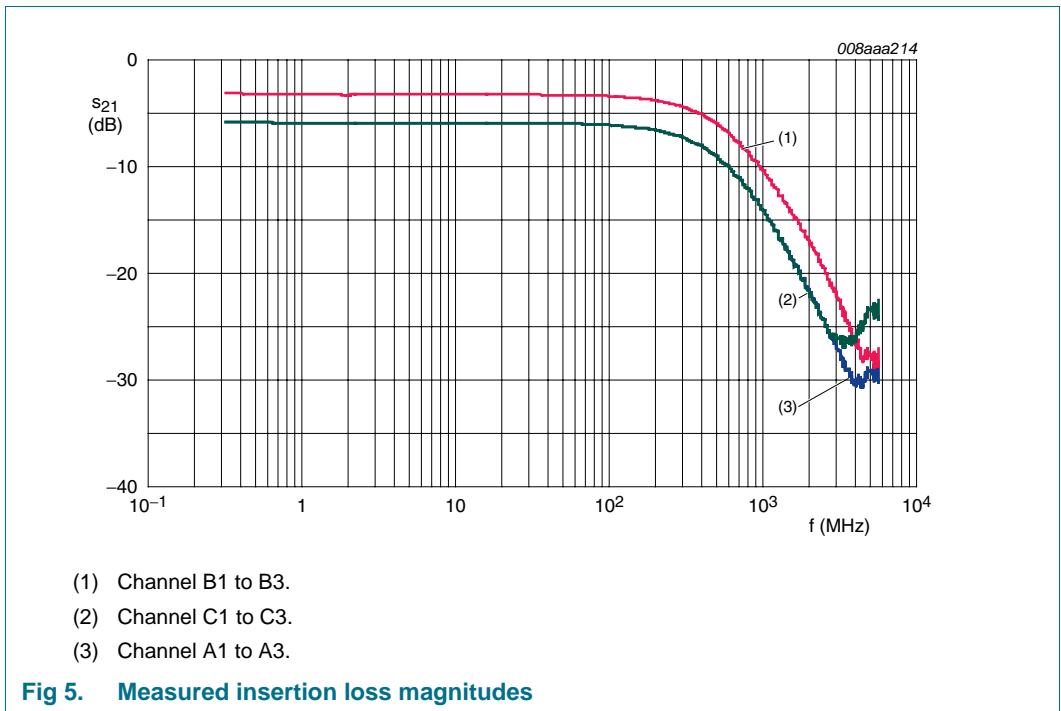


Fig 5. Measured insertion loss magnitudes

### 7.3 Crosstalk

The crosstalk measurement configuration of a typical 50 Ω NWA system for evaluation of the IP4365CX11 is shown in [Figure 6](#).

Six typical examples of crosstalk measurement results of IP4365CX11 are depicted in [Figure 7](#). Unused channels are terminated with 50 Ω to ground.

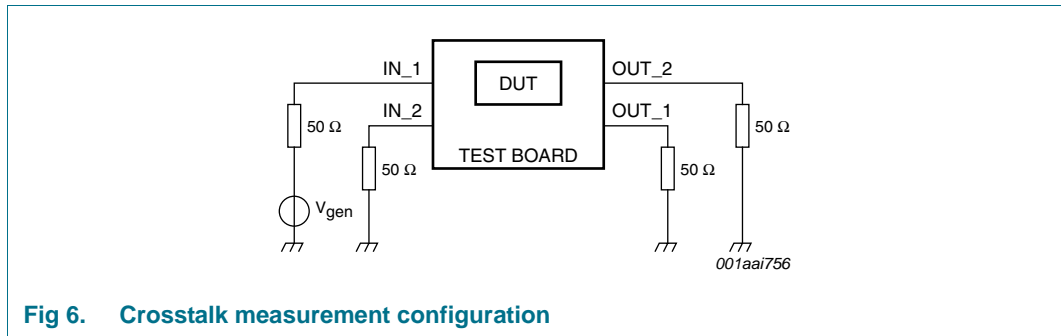


Fig 6. Crosstalk measurement configuration

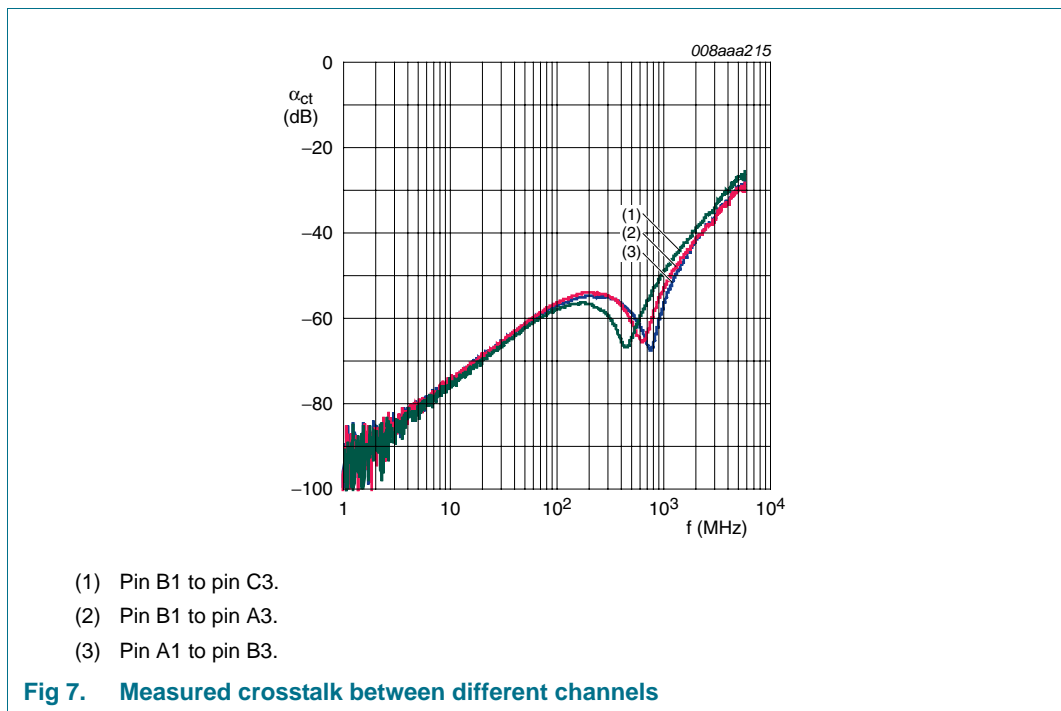


Fig 7. Measured crosstalk between different channels

## 8. Package outline

WLCSP11: wafer level chip-size package; 11 bumps (3 x 4 - B2)

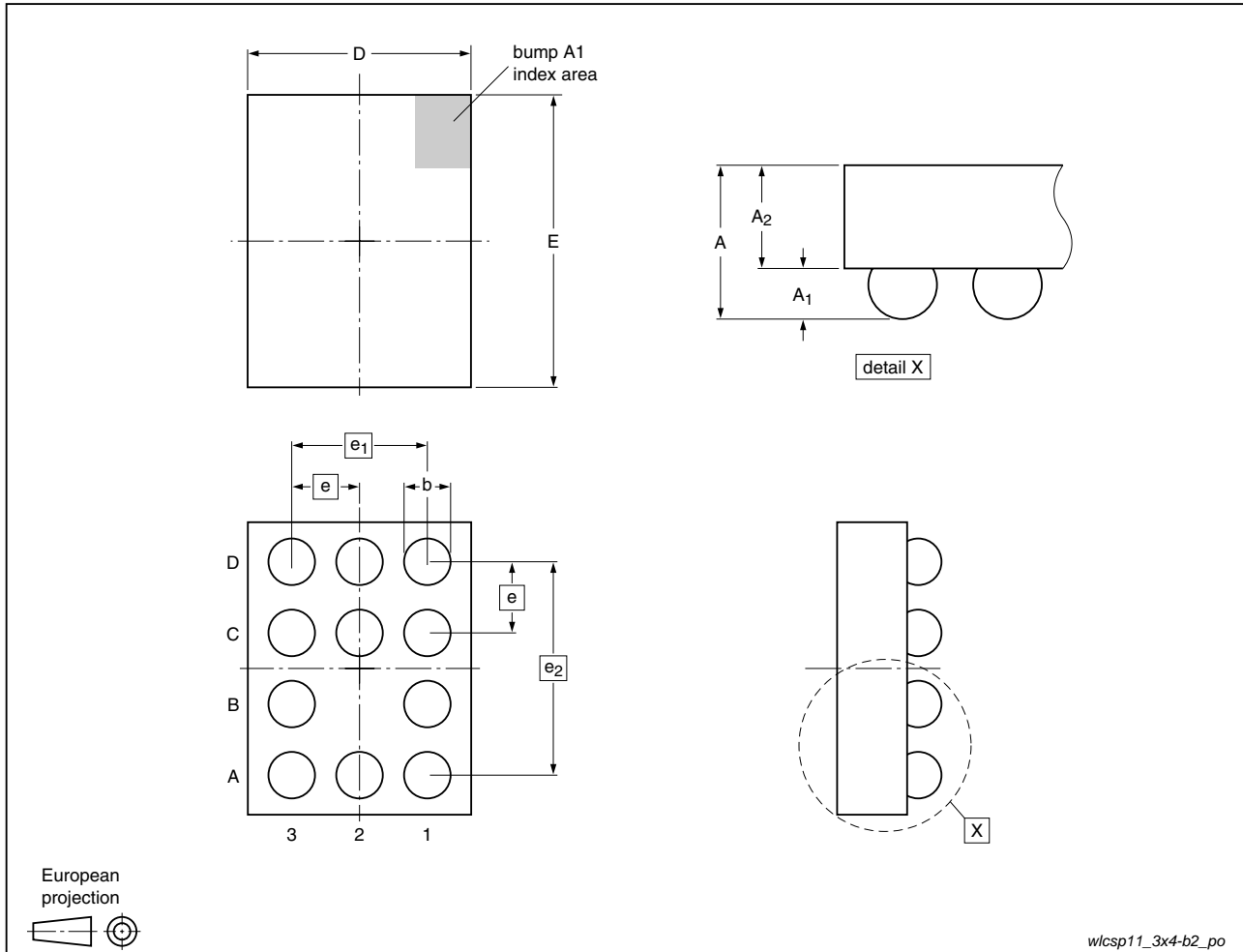


Fig 8. Package outline IP4365CX11 (WLCSP11)

Table 5. Dimensions for Figure 8

Symbol	Min	Typ	Max	Unit
A	0.57	0.61	0.65	mm
A <sub>1</sub>	0.18	0.20	0.22	mm
A <sub>2</sub>	0.39	0.41	0.43	mm
b	0.21	0.26	0.31	mm
D	1.11	1.16	1.21	mm
E	1.51	1.56	1.61	mm
e	-	0.4	-	mm
e <sub>1</sub>	-	0.8	-	mm
e <sub>2</sub>	-	1.2	-	mm



## 9. Design and assembly recommendations

### 9.1 PCB design guidelines

For optimum performance it is recommended to use a Non-Solder Mask Defined (NSMD), also known as a copper-defined design, incorporating laser-drilled micro-vias connecting the ground pads to a buried ground-plane layer. This results in the lowest possible ground inductance and provides the best high frequency and ESD performance. For this case, refer to [Table 6](#) for the recommended PCB design parameters.

**Table 6. Recommended PCB design parameters**

Parameter	Value or specification
PCB pad diameter	200 $\mu\text{m}$
Micro-via diameter	100 $\mu\text{m}$ (0.004 inch)
Solder mask aperture diameter	370 $\mu\text{m}$
Copper thickness	20 $\mu\text{m}$ to 40 $\mu\text{m}$
Copper finish	AuNi
PCB material	FR4

### 9.2 PCB assembly guidelines for Pb-free soldering

**Table 7. Assembly recommendations**

Parameter	Value or specification
Solder screen aperture diameter	330 $\mu\text{m}$
Solder screen thickness	100 $\mu\text{m}$ (0.004 inch)
Solder paste: Pb-free	SnAg (3 % to 4 %) Cu (0.5 % to 0.9 %)
Solder / flux ratio	50 / 50
Solder reflow profile	see <a href="#">Figure 9</a>

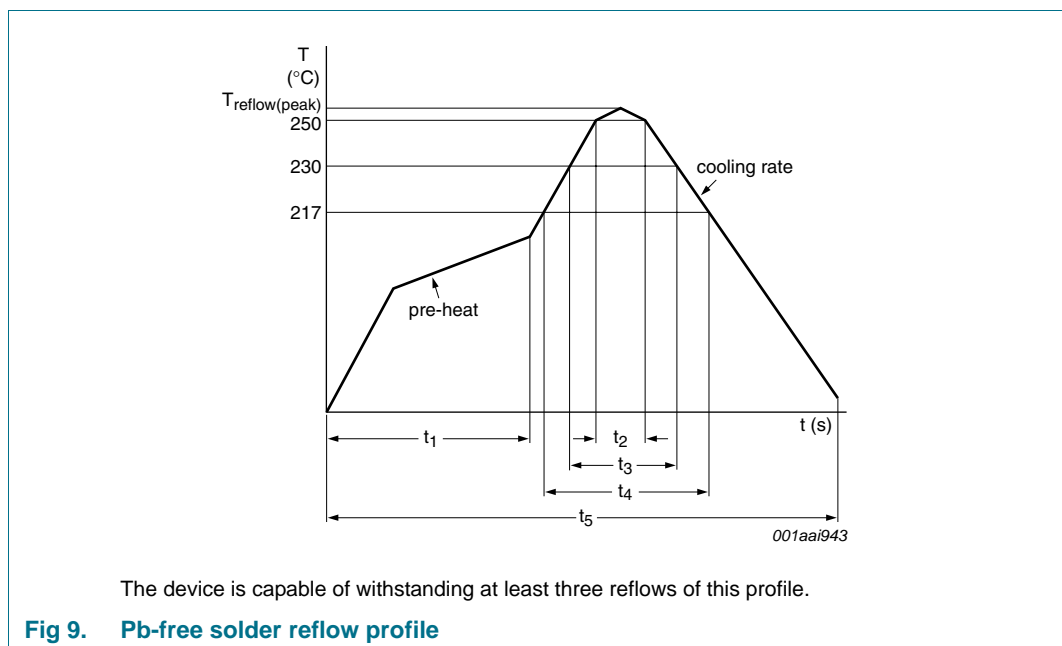


Table 8. Characteristics

Symbol	Parameter	Conditions	Min	Typ	Max	Unit
$T_{\text{reflow(peak)}}$	peak reflow temperature		230	-	260	°C
$t_1$	time 1	soak time	60	-	180	s
$t_2$	time 2	time during $T \geq 250$ °C	-	-	30	s
$t_3$	time 3	time during $T \geq 230$ °C	10	-	50	s
$t_4$	time 4	time during $T > 217$ °C	30	-	150	s
$t_5$	time 5		-	-	540	s
dT/dt	rate of change of temperature	cooling rate	-	-	-6	°C/s
		pre-heat	2.5	-	4.0	°C/s

## 10. Abbreviations

Table 9. Abbreviations

Acronym	Description
DUT	Device Under Test
EMI	ElectroMagnetic Interference
ESD	ElectroStatic Discharge
FR4	Flame Retard 4
IEC	International Electrotechnical Commission
ISO	International Organization for Standardization
NSMD	Non-Solder Mask Defined
NWA	NetWork Analyzer
PCB	Printed-Circuit Board
PCS	Personal Communication System
RF	Radio Frequency
RFI	Radio Frequency Interference
RoHS	Restriction of Hazardous Substances
SIM	Subscriber Identity Module
USB	Universal Serial Bus
USIM	Universal Subscriber Identity Module
WLCSP	Wafer-Level Chip-Scale Package

## 11. Revision history

Table 10. Revision history

Document ID	Release date	Data sheet status	Change notice	Supersedes
IP4365CX11_1	20100326	Product data sheet	-	-

## 12. Legal information

### 12.1 Data sheet status

Document status <sup>[1][2]</sup>	Product status <sup>[3]</sup>	Definition
Objective [short] data sheet	Development	This document contains data from the objective specification for product development.
Preliminary [short] data sheet	Qualification	This document contains data from the preliminary specification.
Product [short] data sheet	Production	This document contains the product specification.

[1] Please consult the most recently issued document before initiating or completing a design.

[2] The term 'short data sheet' is explained in section "Definitions".

[3] The product status of device(s) described in this document may have changed since this document was published and may differ in case of multiple devices. The latest product status information is available on the Internet at URL <http://www.nxp.com>.

### 12.2 Definitions

**Draft** — The document is a draft version only. The content is still under internal review and subject to formal approval, which may result in modifications or additions. NXP Semiconductors does not give any representations or warranties as to the accuracy or completeness of information included herein and shall have no liability for the consequences of use of such information.

**Short data sheet** — A short data sheet is an extract from a full data sheet with the same product type number(s) and title. A short data sheet is intended for quick reference only and should not be relied upon to contain detailed and full information. For detailed and full information see the relevant full data sheet, which is available on request via the local NXP Semiconductors sales office. In case of any inconsistency or conflict with the short data sheet, the full data sheet shall prevail.

**Product specification** — The information and data provided in a Product data sheet shall define the specification of the product as agreed between NXP Semiconductors and its customer, unless NXP Semiconductors and customer have explicitly agreed otherwise in writing. In no event however, shall an agreement be valid in which the NXP Semiconductors product is deemed to offer functions and qualities beyond those described in the Product data sheet.

### 12.3 Disclaimers

**Limited warranty and liability** — Information in this document is believed to be accurate and reliable. However, NXP Semiconductors does not give any representations or warranties, expressed or implied, as to the accuracy or completeness of such information and shall have no liability for the consequences of use of such information.

In no event shall NXP Semiconductors be liable for any indirect, incidental, punitive, special or consequential damages (including - without limitation - lost profits, lost savings, business interruption, costs related to the removal or replacement of any products or rework charges) whether or not such damages are based on tort (including negligence), warranty, breach of contract or any other legal theory.

Notwithstanding any damages that customer might incur for any reason whatsoever, NXP Semiconductors' aggregate and cumulative liability towards customer for the products described herein shall be limited in accordance with the *Terms and conditions of commercial sale* of NXP Semiconductors.

**Right to make changes** — NXP Semiconductors reserves the right to make changes to information published in this document, including without limitation specifications and product descriptions, at any time and without notice. This document supersedes and replaces all information supplied prior to the publication hereof.

**Suitability for use** — NXP Semiconductors products are not designed, authorized or warranted to be suitable for use in medical, military, aircraft, space or life support equipment, nor in applications where failure or

malfunction of an NXP Semiconductors product can reasonably be expected to result in personal injury, death or severe property or environmental damage. NXP Semiconductors accepts no liability for inclusion and/or use of NXP Semiconductors products in such equipment or applications and therefore such inclusion and/or use is at the customer's own risk.

**Applications** — Applications that are described herein for any of these products are for illustrative purposes only. NXP Semiconductors makes no representation or warranty that such applications will be suitable for the specified use without further testing or modification.

NXP Semiconductors does not accept any liability related to any default, damage, costs or problem which is based on a weakness or default in the customer application/use or the application/use of customer's third party customer(s) (hereinafter both referred to as "Application"). It is customer's sole responsibility to check whether the NXP Semiconductors product is suitable and fit for the Application planned. Customer has to do all necessary testing for the Application in order to avoid a default of the Application and the product. NXP Semiconductors does not accept any liability in this respect.

**Limiting values** — Stress above one or more limiting values (as defined in the Absolute Maximum Ratings System of IEC 60134) will cause permanent damage to the device. Limiting values are stress ratings only and (proper) operation of the device at these or any other conditions above those given in the Recommended operating conditions section (if present) or the Characteristics sections of this document is not warranted. Constant or repeated exposure to limiting values will permanently and irreversibly affect the quality and reliability of the device.

**Terms and conditions of commercial sale** — NXP Semiconductors products are sold subject to the general terms and conditions of commercial sale, as published at <http://www.nxp.com/profile/terms>, unless otherwise agreed in a valid written individual agreement. In case an individual agreement is concluded only the terms and conditions of the respective agreement shall apply. NXP Semiconductors hereby expressly objects to applying the customer's general terms and conditions with regard to the purchase of NXP Semiconductors products by customer.

**No offer to sell or license** — Nothing in this document may be interpreted or construed as an offer to sell products that is open for acceptance or the grant, conveyance or implication of any license under any copyrights, patents or other industrial or intellectual property rights.

**Export control** — This document as well as the item(s) described herein may be subject to export control regulations. Export might require a prior authorization from national authorities.

**Non-automotive qualified products** — Unless this data sheet expressly states that this specific NXP Semiconductors product is automotive qualified, the product is not suitable for automotive use. It is neither qualified nor tested in accordance with automotive testing or application requirements. NXP Semiconductors accepts no liability for inclusion and/or use of non-automotive qualified products in automotive equipment or applications.

In the event that customer uses the product for design-in and use in automotive applications to automotive specifications and standards, customer (a) shall use the product without NXP Semiconductors' warranty of the

product for such automotive applications, use and specifications, and (b) whenever customer uses the product for automotive applications beyond NXP Semiconductors' specifications such use shall be solely at customer's own risk, and (c) customer fully indemnifies NXP Semiconductors for any liability, damages or failed product claims resulting from customer design and use of the product for automotive applications beyond NXP Semiconductors' standard warranty and NXP Semiconductors' product specifications.

## 12.4 Trademarks

Notice: All referenced brands, product names, service names and trademarks are the property of their respective owners.

## 13. Contact information

---

For more information, please visit: <http://www.nxp.com>

For sales office addresses, please send an email to: [salesaddresses@nxp.com](mailto:salesaddresses@nxp.com)

## 14. Contents

<b>1</b>	<b>Product profile</b> . . . . .	<b>1</b>
1.1	General description . . . . .	1
1.2	Features and benefits . . . . .	1
1.3	Applications . . . . .	1
<b>2</b>	<b>Pinning information</b> . . . . .	<b>2</b>
2.1	Pinning . . . . .	2
2.2	Pin description . . . . .	2
<b>3</b>	<b>Ordering information</b> . . . . .	<b>2</b>
<b>4</b>	<b>Functional diagram</b> . . . . .	<b>3</b>
<b>5</b>	<b>Limiting values</b> . . . . .	<b>3</b>
<b>6</b>	<b>Characteristics</b> . . . . .	<b>4</b>
<b>7</b>	<b>Application information</b> . . . . .	<b>4</b>
7.1	Application diagram . . . . .	4
7.2	Insertion loss . . . . .	5
7.3	Crosstalk . . . . .	6
<b>8</b>	<b>Package outline</b> . . . . .	<b>7</b>
<b>9</b>	<b>Design and assembly recommendations</b> . . . . .	<b>8</b>
9.1	PCB design guidelines . . . . .	8
9.2	PCB assembly guidelines for Pb-free soldering . . . . .	8
<b>10</b>	<b>Abbreviations</b> . . . . .	<b>9</b>
<b>11</b>	<b>Revision history</b> . . . . .	<b>9</b>
<b>12</b>	<b>Legal information</b> . . . . .	<b>10</b>
12.1	Data sheet status . . . . .	10
12.2	Definitions . . . . .	10
12.3	Disclaimers . . . . .	10
12.4	Trademarks . . . . .	11
<b>13</b>	<b>Contact information</b> . . . . .	<b>11</b>
<b>14</b>	<b>Contents</b> . . . . .	<b>12</b>

Please be aware that important notices concerning this document and the product(s) described herein, have been included in section 'Legal information'.

© NXP B.V. 2010.

All rights reserved.

For more information, please visit: <http://www.nxp.com>

For sales office addresses, please send an email to: [salesaddresses@nxp.com](mailto:salesaddresses@nxp.com)

Date of release: 26 March 2010

Document identifier: IP4365CX11\_1