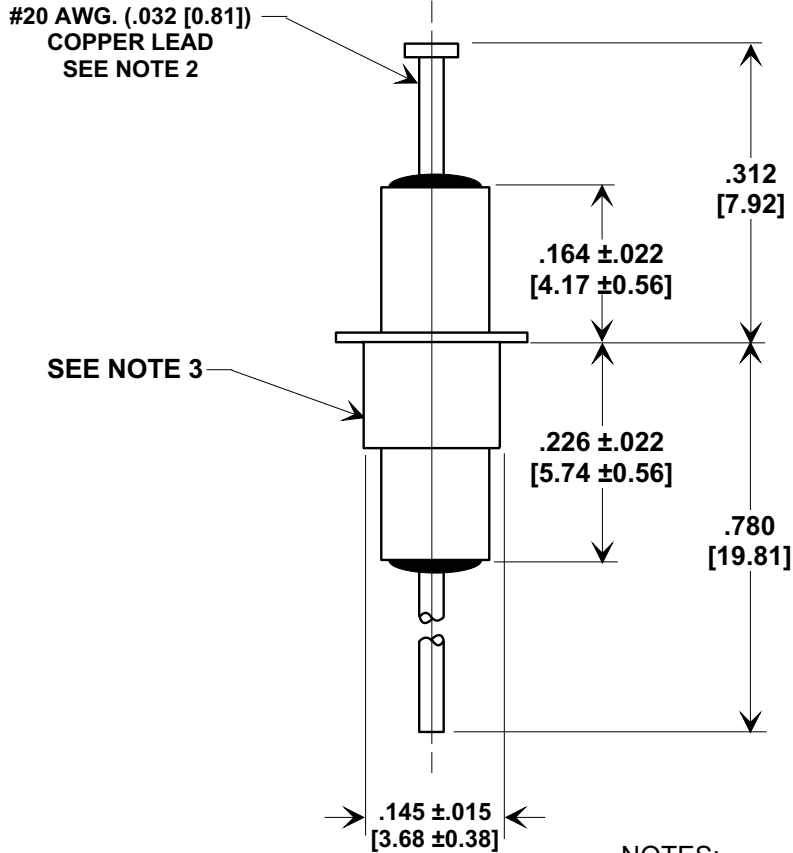
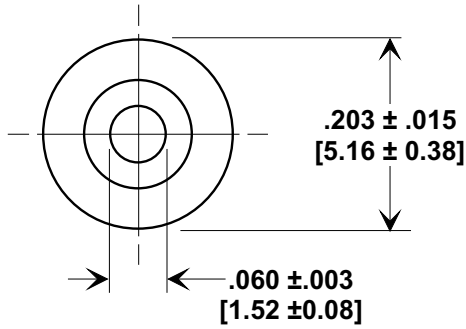
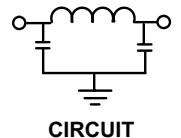
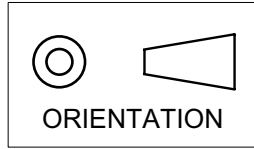


MARKETING SALES DRAWING

DIMENSIONS IN INCHES - DO NOT SCALE THIS DRAWING
 DIMENSIONS IN METRIC - []

This drawing is the property of Tusonix, Inc., and may not be used, reproduced, published or disclosed to others without expressed authorization by Tusonix Inc.

Electrical Testing
 per Tusonix standard
 test plans and Mil-Std-202
 Test Methods.



NOTES:

1. TUSONIX PART NUMBER: 4151-501.
2. LEAD FINISH: 60/40 SOLDER PLATED.
3. EYELET FINISH: 60/40 SOLDER PLATED.

MIN. CAP. pF	125°C Working Voltage	Current IDC	Minimum No Load Insertion Loss (dB) at 25°C per Mil-Std-220			
			10 MHz	100 MHz	1 GHz	10 GHz
22,000	70 VDC	10 A	25	70	70	70

X-2015 Rev-0 REVISION RECORD Original Release C.O.	0	TUSONIX TUCSON, ARIZONA	--TOLERANCES-- Unless Otherwise Specified	Title EMI FILTER M15733/51-0002			
	DECIMAL ± .031[0.79]		Drawn S.M. 08-16-07	Scale 5 X			
	ANGLES ±		Approved R.L. 08-16-07		A	4151-501	