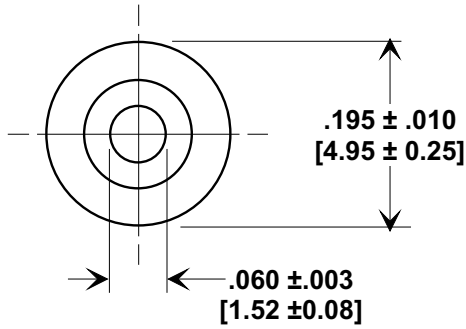
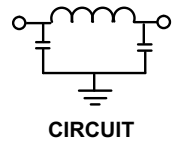
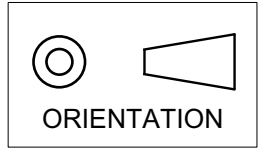


MARKETING SALES DRAWING

DIMENSIONS IN INCHES - DO NOT SCALE THIS DRAWING
 DIMENSIONS IN METRIC - []

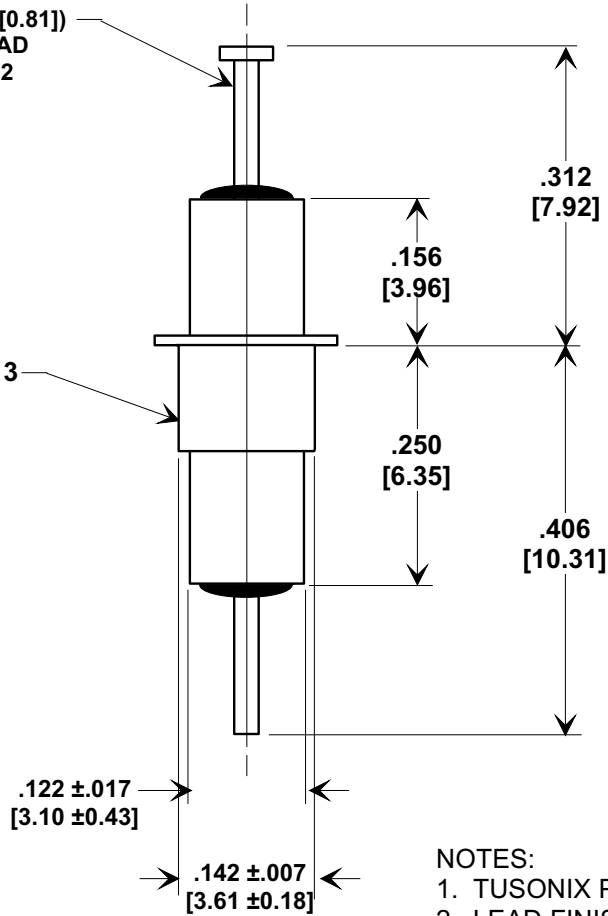
This drawing is the property of Tusonix, Inc., and may not be used, reproduced, published or disclosed to others without expressed authorization by Tusonix Inc.

Electrical Testing
 per Tusonix standard
 test plans and Mil-Std-202
 Test Methods.



#20 AWG. (.032 [0.81])
 COPPER LEAD
 SEE NOTE 2

SEE NOTE 3



NOTES:

1. TUSONIX PART NUMBER: 4101-504.
2. LEAD FINISH: 60/40 SOLDER PLATED.
3. EYELET FINISH: 60/40 SOLDER PLATED.

MIN. CAP. pF	85°C Working Voltage	Current IDC	Minimum No Load Insertion Loss (dB) at 25°C per Mil-Std-220			
			10 MHz	100 MHz	1 GHz	10 GHz
5500	200 VDC 200 VAC	10 A	15	55	70	70

X-2015 Rev-0 REVISION RECORD Original Release C.O. 20080716-3-01	0	--TOLERANCES-- Unless Otherwise Specified	Title		
	EMI FILTER M15733/51-0001				
	DECIMAL ± .031[0.79]		Drawn	S.M. 07-17-08	Scale
	ANGLES ±		Approved	R.L. 07-17-08	
TUSONIX TUCSON, ARIZONA		A	4101-504		