

RI 4192

USB 3.0

FEEDTHRU FILTER

Panel mountable
USB 3.0 super-speed
feedthru filter



OVERVIEW

The RI 4192 is a Feedthru Filter for all types of applications where USB signals need to be fed through a shielded wall.

APPLICATION

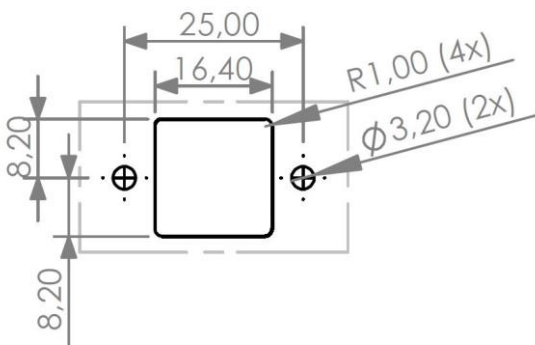
Primarily designed to fit in Ranatec's Shield Boxes but can be used separately.

ELECTRICAL INTERFACES

To accommodate the switchable power feedthrough, the filter is non-reciprocal, which means that the USB host must be attached to the "B" connector of the filter. RI 4192 can supply one USB device with up to 2 A.

MECHANICAL INTERFACES

The RI 4192 is prepared for panel mounting with two threaded M3 screw holes. It is delivered with an EMI/RFI shielding gasket for simple and reliable mounting.



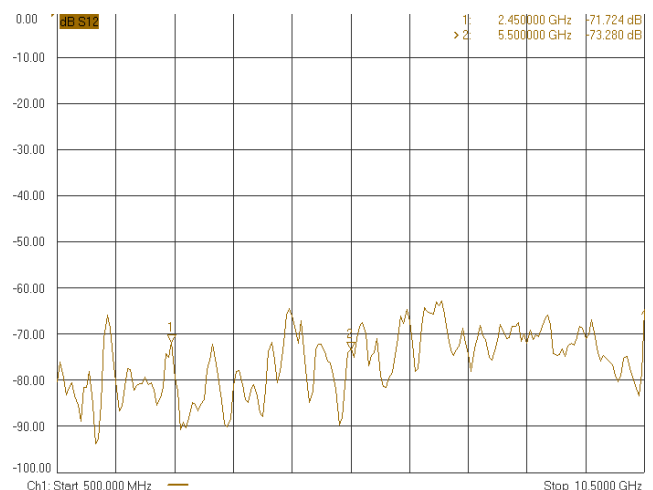
Panel cut-out recommendation (mm)

FEATURES

- 75 dB filter suppression at 2.4, 5.8 and 7.125 GHz
- Filtered 2 A power feedthrough, switchable on/off via USB
- Panel mountable

SPECIFICATION

| | |
|------------------------------|-------------|
| USB device current feedthru: | 2 A max |
| Connector front: | Type A, (F) |
| Connector back: | Type B, (F) |
| Material: | Aluminium |
| Dimensions: | 36x68x24 mm |
| Weight: | 90g |



Typical filter suppression

ORDERING

RI 4192 USB 3.0 Feedthru Filter