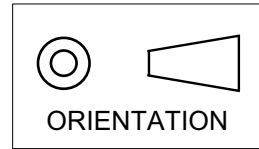
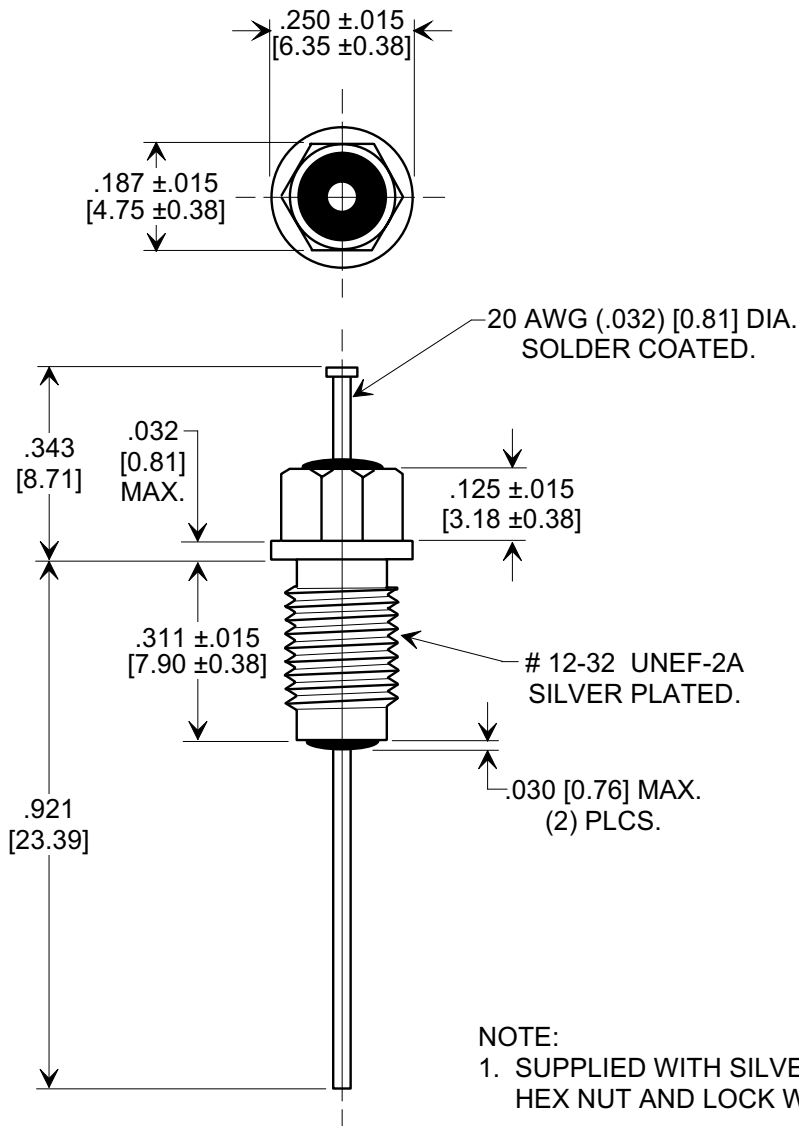
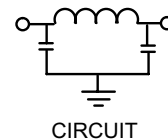


MARKETING SALES DRAWING
DIMENSIONS IN INCHES - DO NOT SCALE THIS DRAWING
DIMENSIONS IN METRIC - []

This drawing is the property of Tusonix, Inc., and may not be used, reproduced, published or disclosed to others without expressed authorization by Tusonix Inc.



Electrical Testing
per Tusonix standard
test plans and Mil-Std-202
Test Methods.



NOTE:
1. SUPPLIED WITH SILVER PLATED
HEX NUT AND LOCK WASHER.

MIN. CAP. (pF)	WORKING VOLTAGE (VVdc)		CURRENT IDC	MINIMUM NO LOAD INSERTION LOSS (dB) AT 25°C PER MIL-STD -220			
	85°C	125 °C		50 MHz	100 MHz	1 GHz	10 GHz
5000	200	100	10 A	50	65	70	70

REVISION RECORD Original Release C.O. 20070529-3-01 0	TOLERANCES unless otherwise specified 2 PLC. DECIMAL ± $\frac{\quad}{\quad}$ 3 PLC. DECIMAL ± .031 [0.79]	Title M15733/61-0010 BUSHING STYLE EMI FILTER	
	ANGLES ± $\frac{\quad}{\quad}$	Drawn S.M. 05-29-07	Scale X 3
	TUSONIX TUCSON, ARIZONA	Approved R.L. 05-29-07	
	A	4203-553	

X-2015 Rev-0