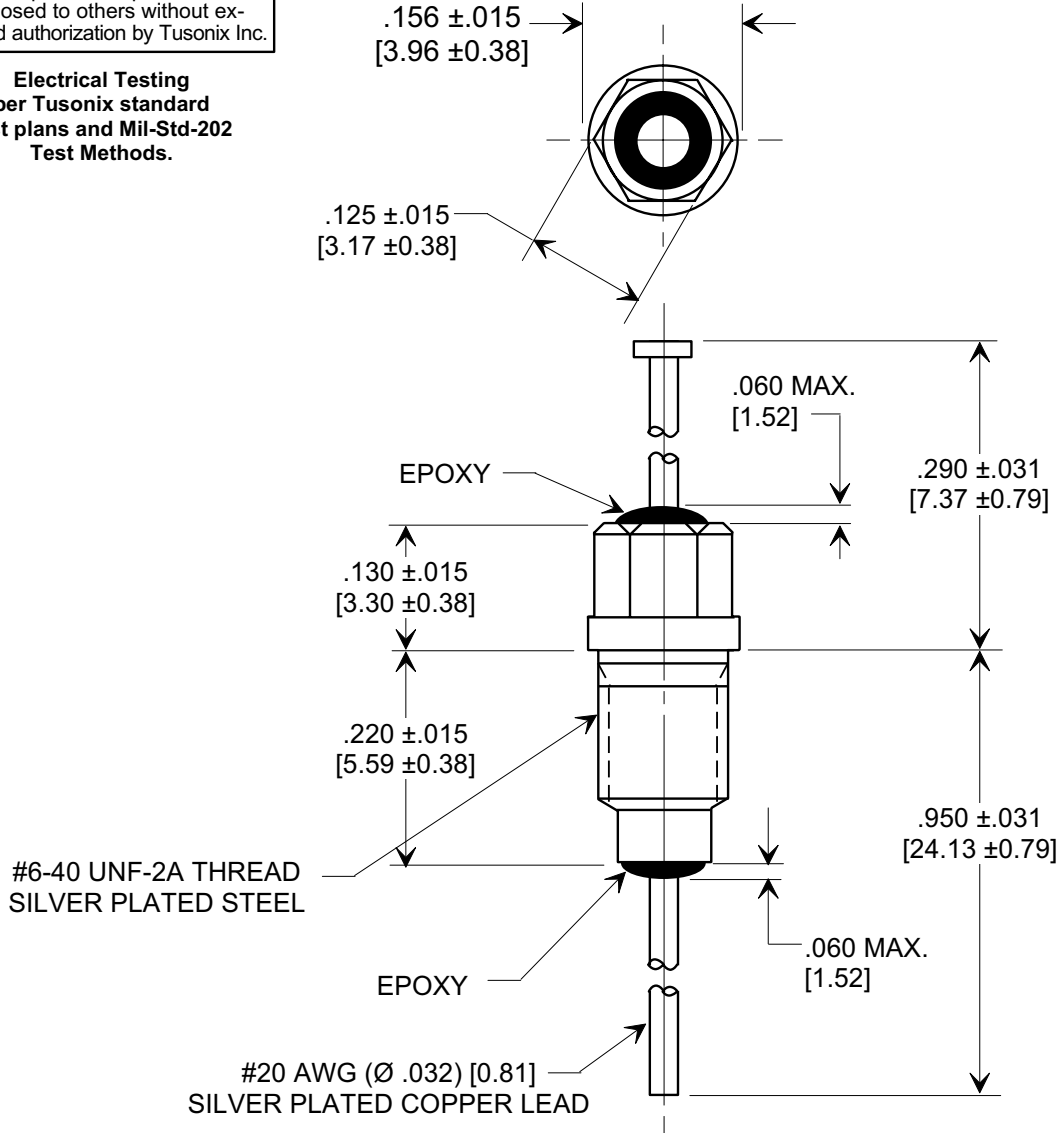
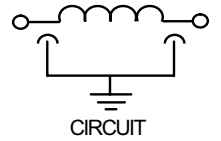
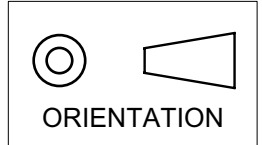


# MARKETING SALES DRAWING

**DIMENSIONS IN INCHES - DO NOT SCALE THIS DRAWING**  
**DIMENSIONS IN METRIC - [ ]**

This drawing is the property of Tusonix, Inc., and may not be used, reproduced, published or disclosed to others without expressed authorization by Tusonix Inc.

**Electrical Testing**  
 per Tusonix standard  
 test plans and Mil-Std-202  
 Test Methods.



**NOTES:**

- TUSONIX STANDARD PART NUMBER: 4200-000.  
 TUSONIX RoHS COMPLIANT PART NUMBER: 4200-000 LF.  
 CUSTOMER MUST SPECIFY STANDARD OR RoHS PART NUMBER WHEN ORDERING.
- LEAD FINISH: SILVER PLATE.
- PART MARKING: TRADEMARK AND VARIATION NUMBER ON HEX FLATS.  
 STANDARD PART: BLACK INK. RoHS PART: GREEN INK.
- SUPPLIED WITH SILVER PLATED COPPER ALLOY HEX NUT AND INTERNAL TOOTH LOCK WASHER.

MIN. CAP.	WORKING VOLTAGE		CURRENT V.D.C.	I.R. MIN. @ 100 (VDC.)	DWV (VDC)	MINIMUM NO LOAD INSERTION LOSS (dB) AT 25°C PER MIL-STD-220			
	85°C	125°C				10 MHz	100 MHz	1 GHz	10 GHz
1500 pF	300 VDC	200 VDC	10A	10 G Ω	900	5	40	60	60

X-2015 Rev-0 REVISION RECORD Original Release C.O. 20010411-1-01 ADDED & REVISED NOTES. ADDED DWV & I.R. SM 11-10-05 20051027-1-02 REVISED BUSHING TO NEW SIMPLIFIED DWG. SM 03-08-06 20060303-2-02	--TOLERANCES-- Unless Otherwise Specified		Title	
	DECIMAL ± .031 [0.79]		<b>BUSHING STYLE EMI FILTER</b> Drawn S.M. 04-11-01 Scale 5 X Approved T.C. 04-11-01	
	ANGLES ±			
	<b>TUSONIX</b> TUCSON, ARIZONA		A	4200-000