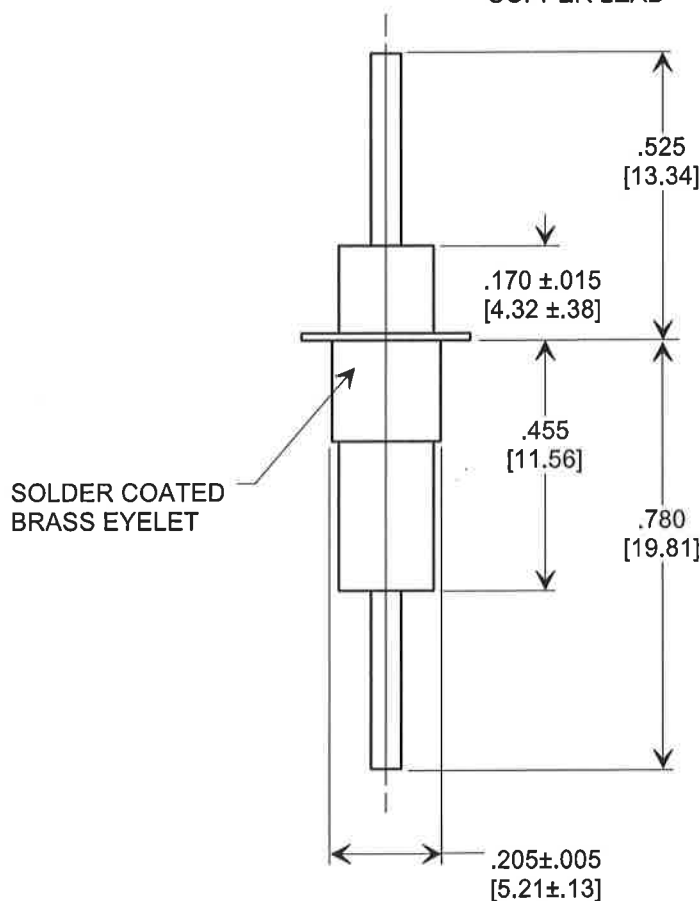
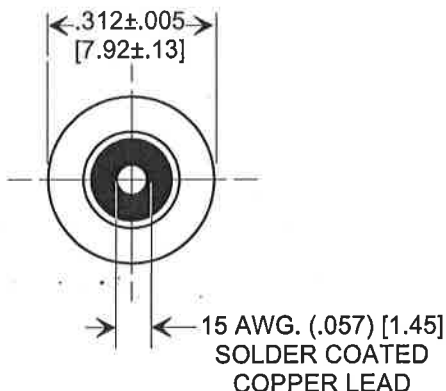
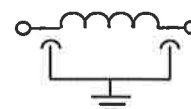
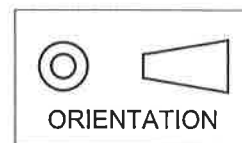


MARKETING SALES DRAWING
DIMENSIONS IN INCHES - DO NOT SCALE THIS DRAWING
DIMENSIONS IN METRIC - []

Electrical Testing
per Tusonix standard
test plans and Mil-Std-202
Test Methods.



MIN. CAP (pF)	WORKING VOLTAGE (WVDC)		CURRENT Idc	MINIMUM NO-LOAD INSERTION LOSS			
	85°C	125°C		10 MHz	100 MHz	1 GHz	10 GHz
1500	1000	700	25A	5	35	65	65

REVISION RECORD
Original Release
C.O. 970306-4
0

-TOLERANCES-- Unless Otherwise Specified DECIMAL ± .031 [.79] ANGLES ±	Title EYELET STYLE EMI FILTER	
	Drawn S.M. 03-11-97 Approved T.C. 03-11-97	Scale 3 X
TUSONIX TUCSON, ARIZONA	A	4106-003

X-2015 Rev-0