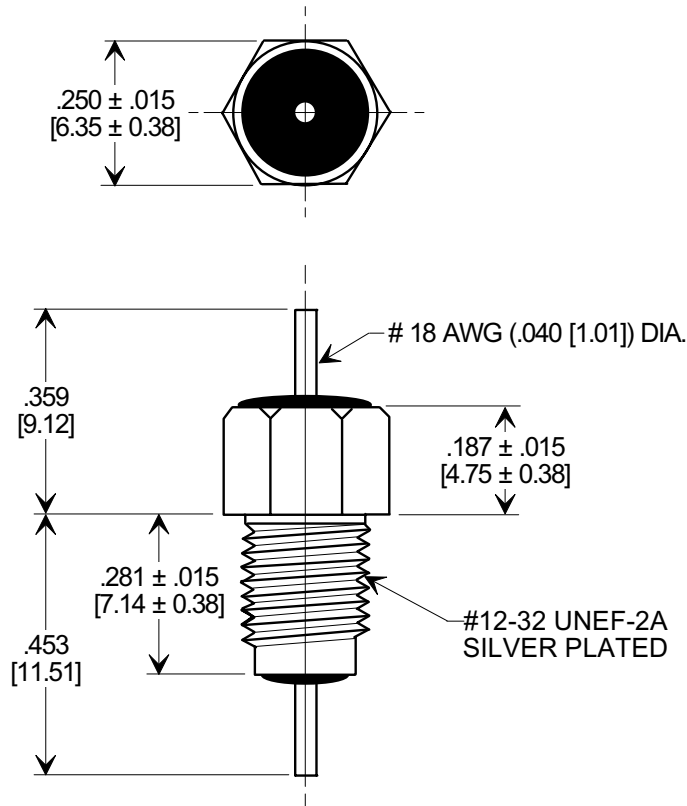
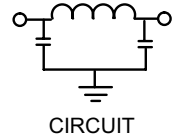
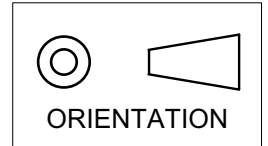


MARKETING SALES DRAWING

DIMENSIONS IN INCHES - DO NOT SCALE THIS DRAWING
 DIMENSIONS IN METRIC - []

Electrical Testing
 per Tusonix standard
 test plans and Mil-Std-202
 Test Methods.



NOTES:

- TUSONIX STANDARD PART NUMBER: 4202-004.
 TUSONIX RoHS COMPLIANT PART NUMBER: 4202-004 LF.
 CUSTOMER MUST SPECIFY STANDARD OR RoHS PART NUMBER WHEN ORDERING.
- LEAD FINISH: STANDARD PART NO.: 60/40 SOLDER PLATED.
 RoHS PART NO.: SILVER PLATED.
- PART MARKING: STANDARD BLACK INK FOR VARIATION AND DATE CODE. RoHS PART: GREEN FOR VARIATION AND DATE CODE.
- SUPPLIED WITH SILVER PLATED MOUNTING HEX NUT AND LOCK WASHER.

| GMV CAP. (pF) | WORKING VOLTAGE (VDC) | | CURRENT (Idc) | I.R. MIN. @ 100 (VDC.) | DWV (VDC) | MINIMUM NO LOAD INSERTION LOSS (dB) AT 25°C PER MIL-STD -220 | | | |
|---------------|-----------------------|--------|---------------|------------------------|-----------|--|---------|-------|--------|
| | 85°C | 125 °C | | | | 10 MHz | 100 MHz | 1 GHz | 10 GHz |
| 2500 | 500 | 350 | 15A | 10 G Ω | 1200 | 5 | 50 | 70 | 70 |

| | | | | | | | | | |
|--------------|--|---|--|-----------------------------------|---|---------------------------------|-----------------|--------------|---------------------|
| X-2015 Rev-0 | REVISION RECORD | | | | --TOLERANCES-- Unless Otherwise Specified DECIMAL ± .031 [0.79] ANGLES ± | Title | | Scale 3 X | |
| | 0 | Original Release C.O. | | | | BUSHING STYLE EMI FILTER | | | Drawn L.E. 08-30-01 |
| | 1 | 4202-004S WAS SK 6764-000 S L.E. 01-13-84 | | | | | | | |
| | 2 | C.O. 1965 WORKING VOLTAGE REV'D -85 WAS -55 & 350 ADDED L.E. 3-3-91 | | | | Approved T.C. 08-30-01 | | | |
| 3 | C.O. 5800 RDN TO COMP FMT & METRIC ADDED L.E. 08-31-01 | | | TUSONIX TUCSON, ARIZONA | | A | 4202-004 | | |
| 4 | 20010830-1-01 ADDED NOTES 1-3, DWV & IR. S.M. 04-12-05 | | | 20050407-6-02 | | | | | |