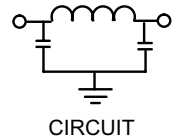
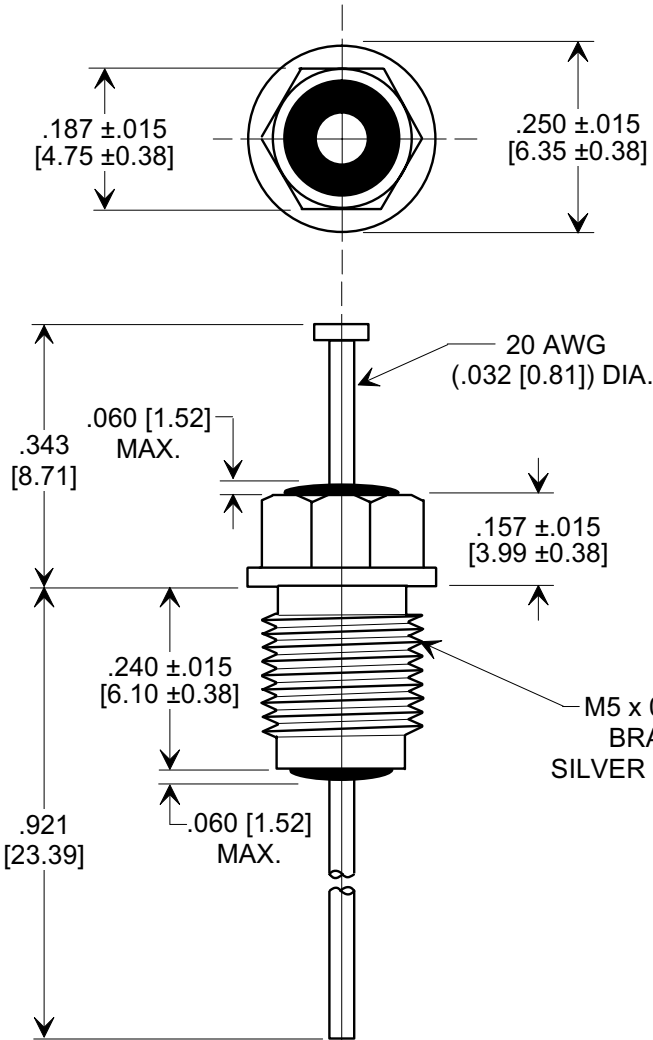
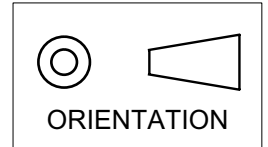


**MARKETING SALES DRAWING**  
**DIMENSIONS IN INCHES - DO NOT SCALE THIS DRAWING**  
**DIMENSIONS IN METRIC - [ ]**

Electrical Testing  
per Tusonix standard  
test plans and Mil-Std-202  
Test Methods.



**NOTES:**

- TUSONIX STANDARD PART NUMBER: 4209-003.  
TUSONIX RoHS COMPLIANT PART NUMBER: 4209-003 LF.  
CUSTOMER MUST SPECIFY STANDARD OR RoHS PART NUMBER WHEN ORDERING.
- LEAD FINISH: STANDARD PART #: 60/40 SOLDER PLATED. RoHS PART #: SILVER PLATED.
- PART MARKING: TRADEMARK AND VARIATION NUMBER ON HEX FLATS.  
STANDARD PART: BLACK INK. RoHS PART: GREEN INK.
- SUPPLIED WITH SILVER PLATED HEX NUT AND INTERNAL TOOTH LOCK WASHER.

| MIN. CAP. (pF) | WORKING VOLTAGE (WVdc) |       | CURRENT IDC | MINIMUM NO LOAD INSERTION LOSS (dB) AT 25°C PER MIL-STD -220 |         |       |        |
|----------------|------------------------|-------|-------------|--|---------|-------|--------|
|                | 85°C                   | 125°C |             | 10 MHz   | 100 MHz | 1 GHz | 10 GHz |
| 1500           | 350                    | 200   | 10 A        | 5  | 45      | 70    | 70     |
|                |                        |       |             |  |         |       |        |

|  |          |  |   |                 |
|--|----------|--|---|-----------------|
| <b>REVISION RECORD</b><br>Original Release<br><b>C.O. 4668</b><br>RDN TO COMP FMT.<br>S.M. 05-09-00<br><b>2000508-3-01</b><br>ADDED NOTES. S.M. 05-29-05<br><b>20050727-2-02</b> | <b>0</b> | <br>-- TOLERANCES --<br>Unless Otherwise Specified<br>2 Place Decimal<br>3 Place Decimal  .031<br>Angles | <b>Title</b><br><b>BUSHING STYLE EMI FILTER</b> |                 |
|  |          |  | <b>Drawn</b> S.M. 05-09-00                      |                 |
|  |          |  | <b>Approved</b> T.C. 05-09-00                   |                 |
|  |          |  | <b>A</b>  | <b>4209-003</b> |
|  |          |  |   |                 |

X-2015 Rev-0