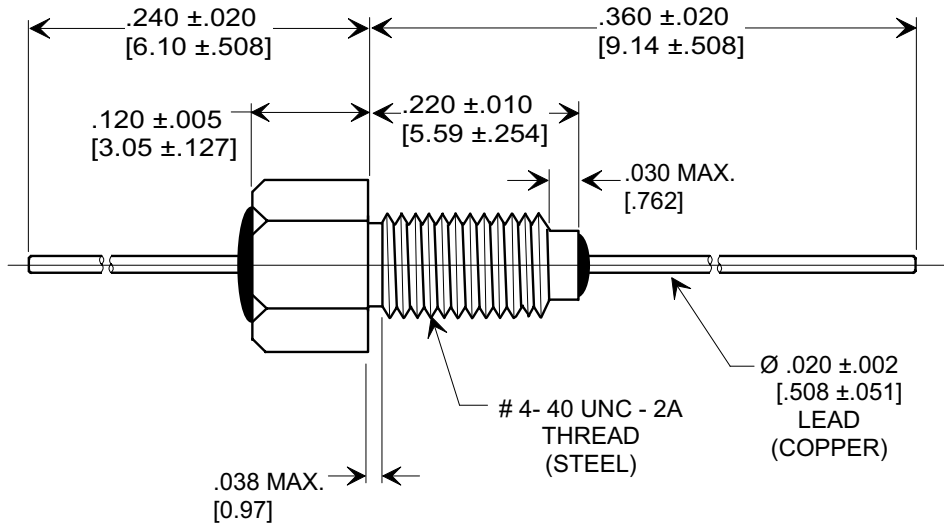
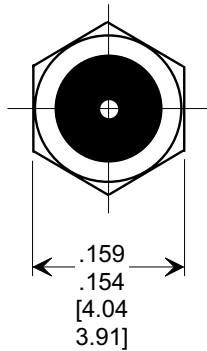
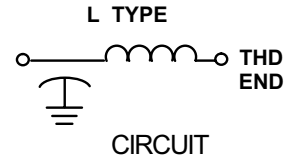
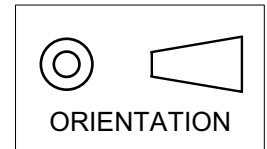


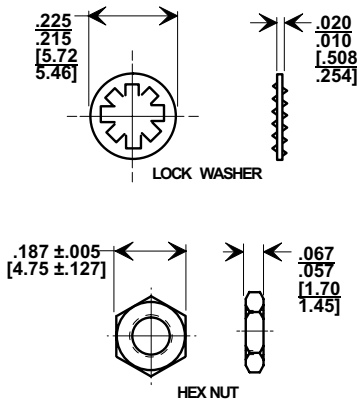
This drawing is the property of Tusonix, Inc., and may not be used, reproduced, published or disclosed to others without expressed authorization by Tusonix Inc.

Electrical Testing
per Tusonix standard
test plans and Mil-Std-202
Test Methods.

MARKETING SALES DRAWING
DIMENSIONS IN INCHES - DO NOT SCALE THIS DRAWING
DIMENSIONS IN METRIC - []



MOUNTING HARDWARE



NOTES:

- TUSONIX STANDARD PART NUMBER: 4400-057.
TUSONIX RoHS COMPLIANT PART NUMBER: 4400-057 LF.
CUSTOMER MUST SPECIFY STANDARD OR RoHS PART NUMBER WHEN ORDERING.
- MATERIALS: SILVER PLATED BUSHING, LEAD, AND MOUNTING HARDWARE.
- PART MARKING: TRADEMARK AND VARIATION NUMBER ON HEX FLATS.
STANDARD PART: BLACK INK. RoHS PART: GREEN INK.
- OPERATING TEMPERATURE RANGE: -55°C TO +125°C.
- MAXIMUM RECOMMENDED SOLDERING TEMPERATURE: 260°C.
- SUPPLIED WITH HEX NUT AND INTERNAL TOOTH LOCK WASHER.
- MAXIMUM RECOMMENDED MOUNTING TORQUE, 2.0 lb-in [.226 Nm].

CAP.(pf)	TOLERANCE	WORKING VOLTAGE		CURRENT (ADC)	I.R. MIN. @ 100 (VDC.)	DWV 2 SEC. MIN.	MIN. NO LOAD INSERTION LOSS (dB) @ 25°C PER MIL-STD-220				
		85°C	125°C				1 MHz	10 MHz	100 MHz	1 GHz	10 GHz
50,000	GMV	50	50	10	10 G Ω	100 VDC	15	35	52	70	---

REVISION RECORD

Original Release	0
C.O. 20041013-1-01	
ADDED AND REVISED NOTES.	
S.M. 01-24-06	
20060109-3-04	1

--TOLERANCES-- Unless Otherwise Specified	Title BUSHING STYLE EMI FILTER
DECIMAL ± NOTED	
ANGLES ±	Drawn L.E. 10-13-04
TUSONIX TUCSON, ARIZONA	Approved B.Mc. 10-13-04
	A 4400-057